



Colloquium on Dec 04, 2019
Emerging Trend in 5G, IoT and SDR

Prof. Dr. Ing. Habil Ulrich L. Rohde
Chairman, Synergy Microwave Corp., NJ, USA
Partner, Rohde & Schwarz, Munich, NJ
Professor, Oradea Univ., Romania
Professor, BTU Cottbus, Germany
Hon. Professor, IIT-Delhi, India
Hon. Chair Prof. IIT-Jammu, India

Outline

- SDR (Software Defined Radio) & IoT
- Analog Front End: Pros & Cons
- High Dynamic Range Microwave Monitoring Receivers
- Image Rejection Mixer: Eliminate triple conversion
- Important Characteristics of A/D converters
- Important Characteristics of Down Converters
- Characteristics of AGC
- Carrier recovery of Data Communication
- Spectrum Analysis of Communication Receiver
- 5G
- Radio Monitoring Receiver
- Modern Radios-Futuristic Trends & Conclusions

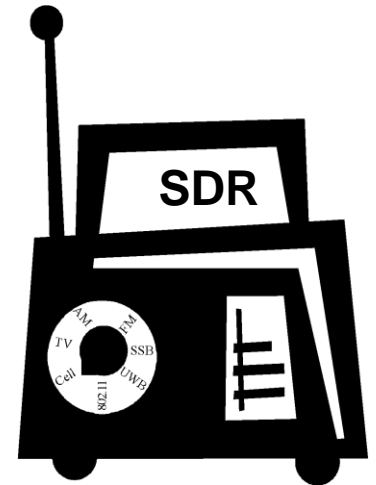
Radio Communication Standard

Problem !

- Myriad of standards exist for terrestrial communications
- Cell phone communication standards change every few years
- Satellite ground station would like to listen to multiple spacecraft, some launched in the 1970s
- Spectrum space is a precious resource
 - Each frequency is “owned”
 - How do we deal with new technologies like ultra wide band (UWB)?

Solution: SDR (Software Defined Radio)

- Flexible radio systems that allow communication standards to migrate
- Flexible methods for reconfiguring a radio in software
- Flexible, intelligent systems that communicate via different protocols at different times



Emerging Trend: Cognitive Radio Solution

SDR & IoT

Transforming our world

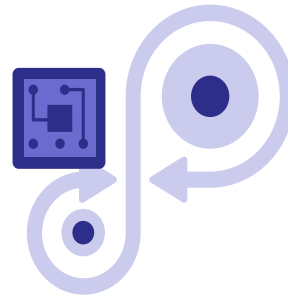
Through intelligent connected platforms



Mobile

Last 30
years

Interconnecting
people



Technology leadership in
system on chip, systems
design, and connectivity

IoT



Next 30 years

Interconnecting their
worlds

SDR & IoT fundamentally changed how people live, work and stay connected

Rohde & Schwarz: Software Defined Radios

Software Defined Radio

Rohde & Schwarz software defined radios (SDR) provide reliable and secure communications.



The Rohde & Schwarz Radiocommunications Systems Division is one of the leading global suppliers of software defined radios (SDR) and systems for use in fixed and mobile ground stations, on board ships and in aircraft.

R&S® M3SR Series4100 Software Defined Radios

HF radio family for stationary and shipborne communications

[Overview](#)

[Models](#)

[System Components](#)

[Options](#)



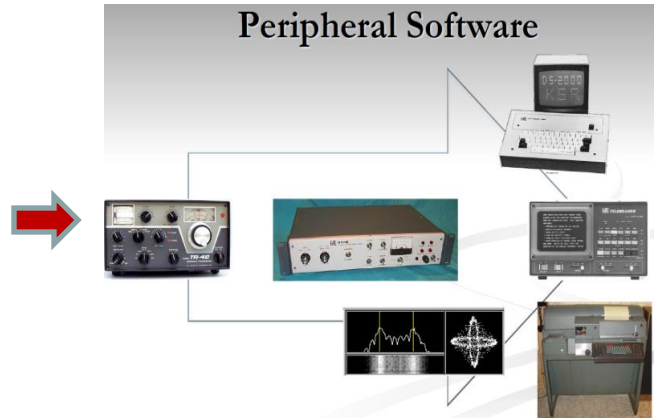
Courtesy: Qualcomm Technologie

Radio Follow Moore's Law

No Software



Peripheral Software

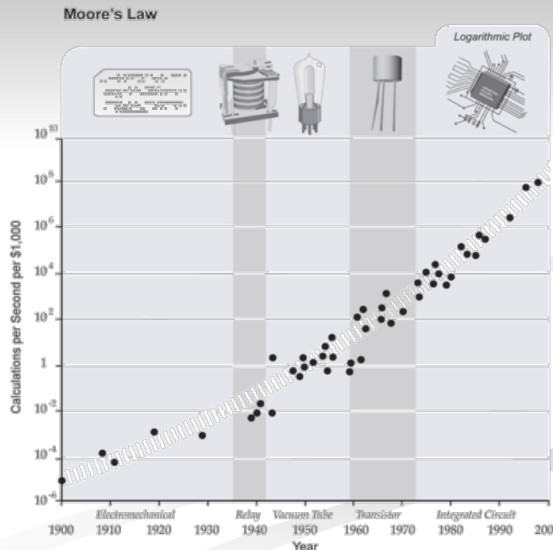


Integrated!

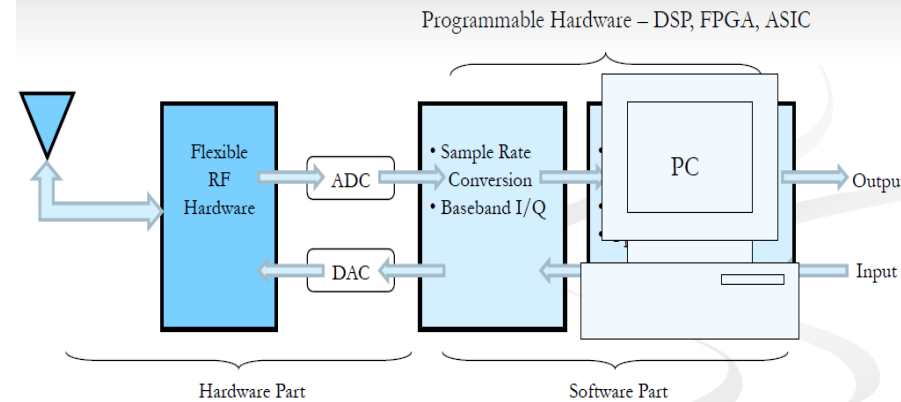


Radio Follows Moore's Law Too

- First 50 Years
 - Electro Mechanical
 - Vacuum Tube
- Second 50
 - Transistor
 - IC
- Next... ?



SDR Architecture



Why SDR ?



More
Users !

Newer
Applications !

Higher Data
Rates !

Spectrum Congestion

High Performance Radio Needed
Everywhere !

Why SDR ?

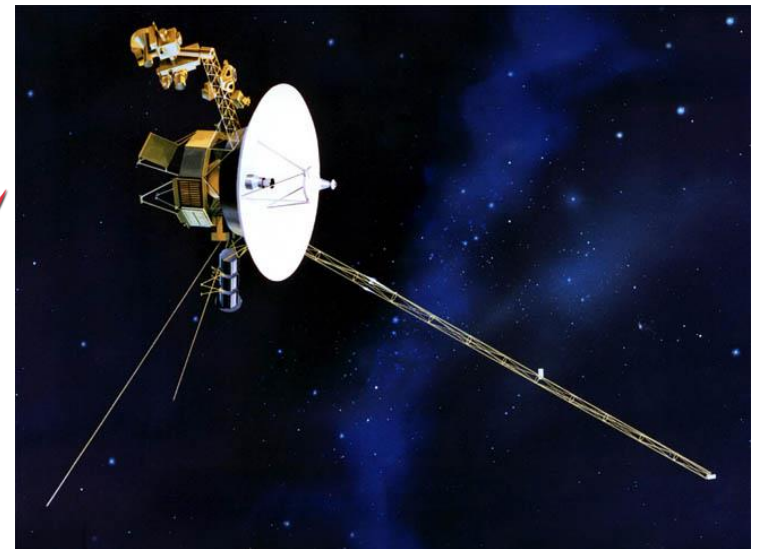
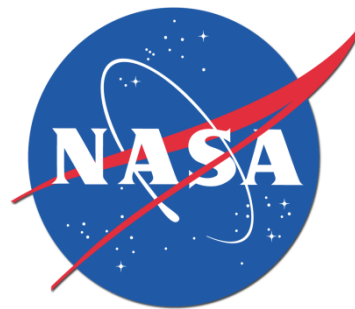
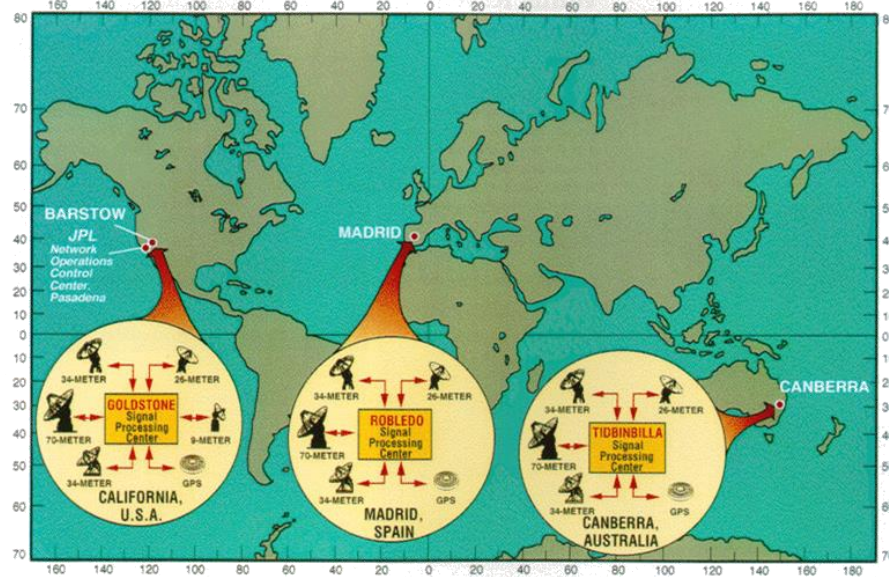
First-Responder Communications Failures



- SDR will facilitate radio interoperability

Why SDR?

Deep Space Communications



- SDR allows old and new protocols

Why SDR?

Spectrum space as a scarce resource

UNITED STATES FREQUENCY ALLOCATIONS THE RADIO SPECTRUM

RADIO SERVICES COLOR LEGEND

AERIAL BEACON	AIR SATellite	INDUSTRY
AERIAL BEACON SATELLITE	LAND MOBILE	NAVIGATION SATELLITE
AERIAL NONVOICER	LAND MOBILE SATELLITE	NAVIGATION
NAVY	NAVY MOBILE	NAVIGATION SATELLITE
NAVY SATELLITE	NAVY MOBILE SATELLITE	NAVIGATION
BROADCASTING	NAVY COMMUNICATION	NAVIGATION SATELLITE
BROADCASTING SATELLITE	METEOROLOGICAL	SPACE RESEARCH
DEFENSE/NAVIGATION SATELLITE	METEOROLOGICAL SATELLITE	SPACE RESEARCH
FIXED	MOBILE	STANDARDIZED METEOROLOGICAL
FIXED SATELLITE	MOBILE SATELLITE	STANDARDIZED METEOROLOGICAL

ACTIVITY CODE

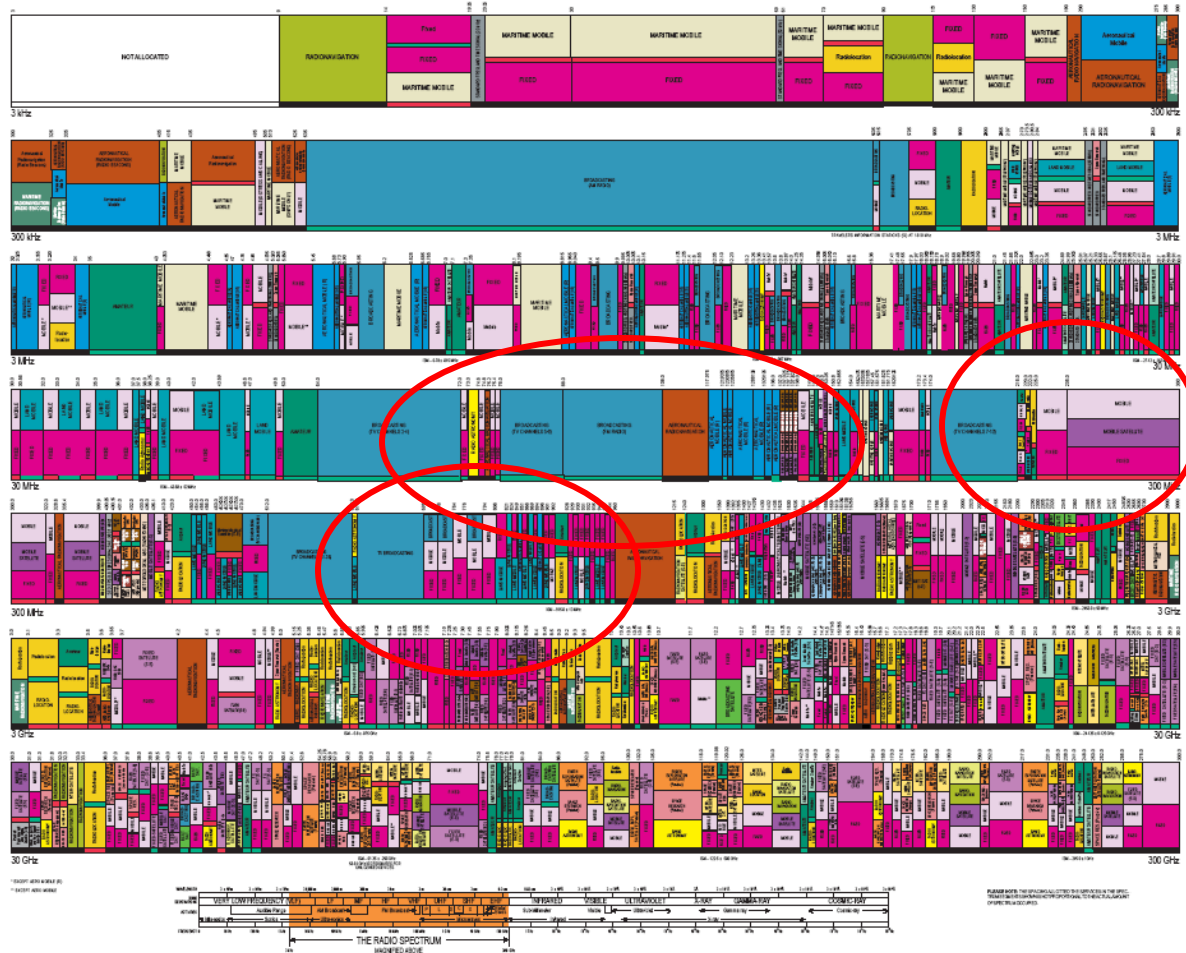
GOVERNMENT EXCLUSIVE	COOPERATION GOVERNMENT SHARED
NON-GOVERNMENT EXCLUSIVE	

ALLOCATION USAGE DESIGNATION

SERVICE	STATUS	DESIGNATION
Primary	Fixed	Coastal Station
Secondary	Mobile	1st Class with lower class letters

The chart is a simplified version of the Table of Frequency Allocations used by the FCC and the ITU. It is intended for informational purposes only. It does not constitute a legal document. For more information on the Table of Frequency Allocations, please refer to the FCC's website or the ITU's website. The chart is based on the ITU's Table of Frequency Allocations, 2007 Edition.

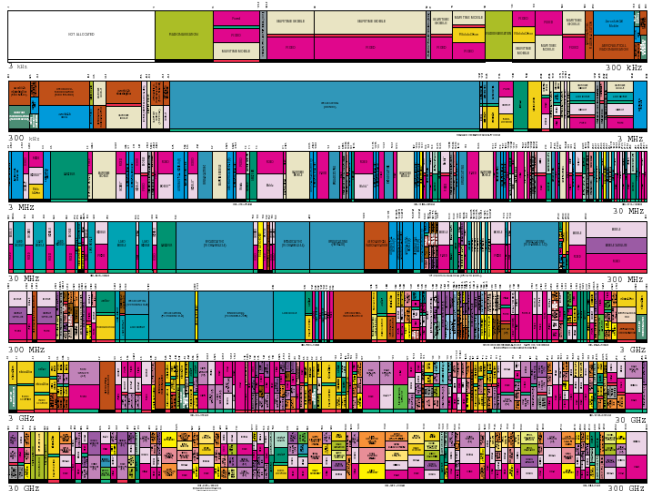
U.S. DEPARTMENT OF COMMERCE
National Telecommunications and Information Administration
Office of Spectrum Management
October 2003



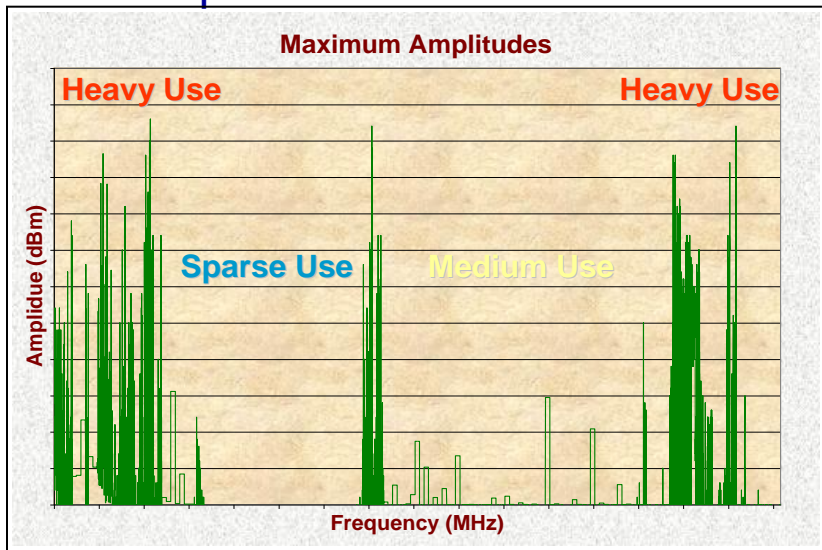
■ SDR will enable spectrum reuse

SDR will Dynamically Access Available Spectrum

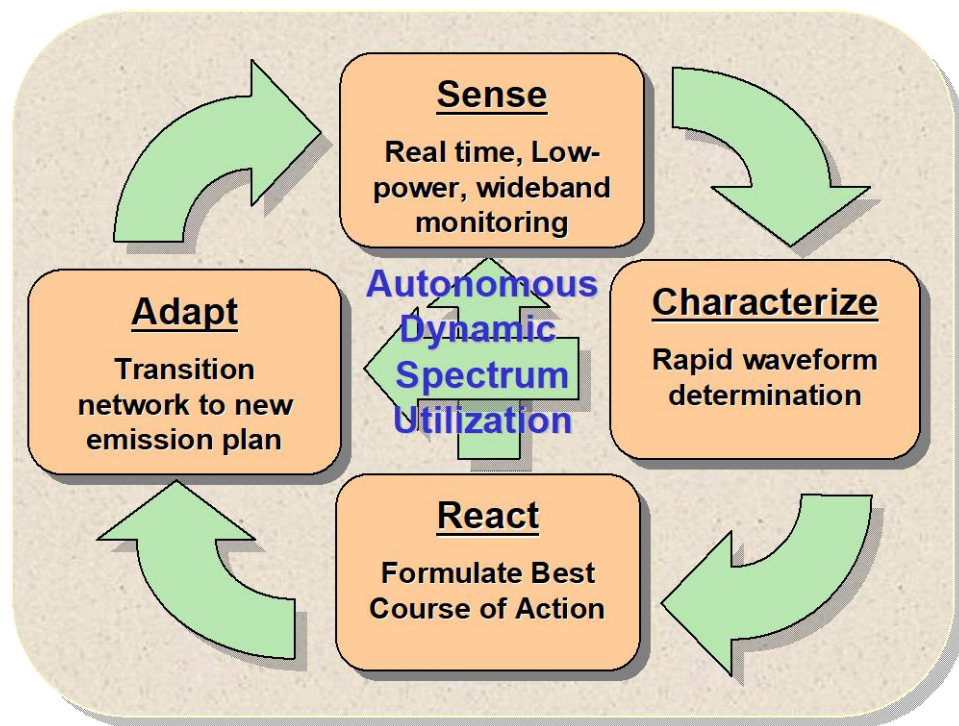
All Spectrum May Be Assigned, But...



...Most Spectrum Is Unused!



Next Generation Radios: Enable Technology and System Concepts for Dynamically Access Available Spectrum



Goal: 10 Folds increase in spectrum access

SDR (Software Defined Radio)

- **Definition:**

A Software Defined Radio (SDR) is a communication system, where the major part of signal processing components, typically realized in hardware are instead replaced by digital algorithms, written in software (FPGA).

SDR

- Want to make all parameters digitally tunable
 - **What Parameters?**
 - **RX/TX Frequency**
 - **Bandwidth**
 - **Impedance Match**
- **First Reported Publication (February 26-28, 1985):**

Ulrich L. Rohde, Digital HF Radio: “A Sampling of Techniques, presented at the Third International Conference on HF Communication Systems and Techniques”, London, England, February 26-28, 1985, Classified Session (U.S Secret).

http://en.wikipedia.org/wiki/Software-defined_radio

Benefits of Software Defined Radio

- **Ease of design**
 - Reduces design-cycle time, quicker iterations
- **Ease of manufacture**
 - Digital hardware reduces costs associated with manufacturing and testing radios
- **Multimode operation**
 - SR can change modes by loading appropriate software into memory
- **Use of advanced signal processing techniques**
 - Allows implementation of new receiver structures and signal processing techniques
- **Fewer discrete components**
 - Digital processors can implement functions such as synchronization, demodulation, error correction, decryption, etc.
- **Flexibility to incorporate additional functionality**
 - Can be modified in the field to correct problems and to upgrade

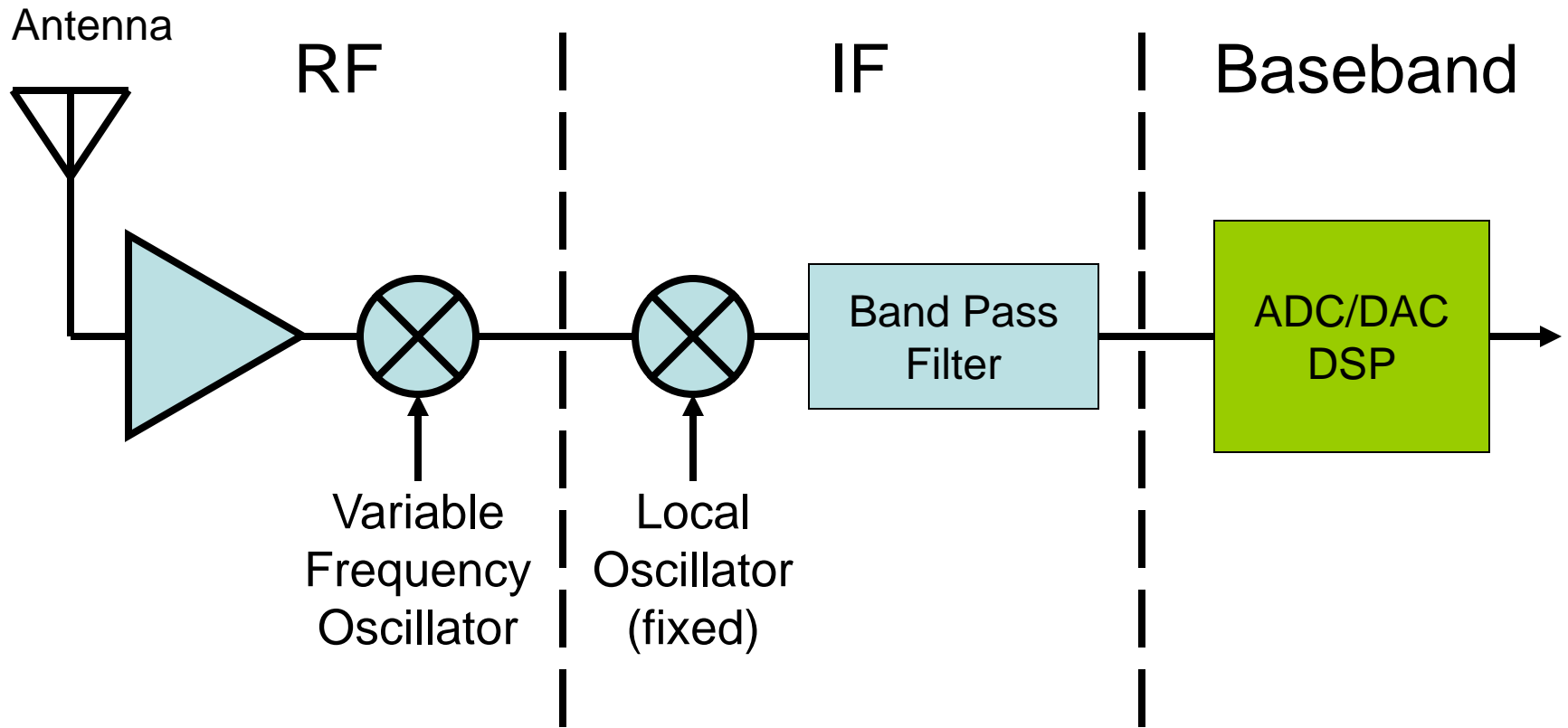
Benefits of SDR, Cont'd.

- Flexible/reconfigurable
 - Reprogrammable units and infrastructure
- Reduced obsolescence
 - Multiband/multimode
- Ubiquitous connectivity
 - Different standards can co-exist
- Enhances/facilitates experimentation
- Brings analog and digital worlds together
 - Full convergence of digital networks and radio science
 - Networkable
 - Simultaneous voice, data, and video

Technologies that enable SDR

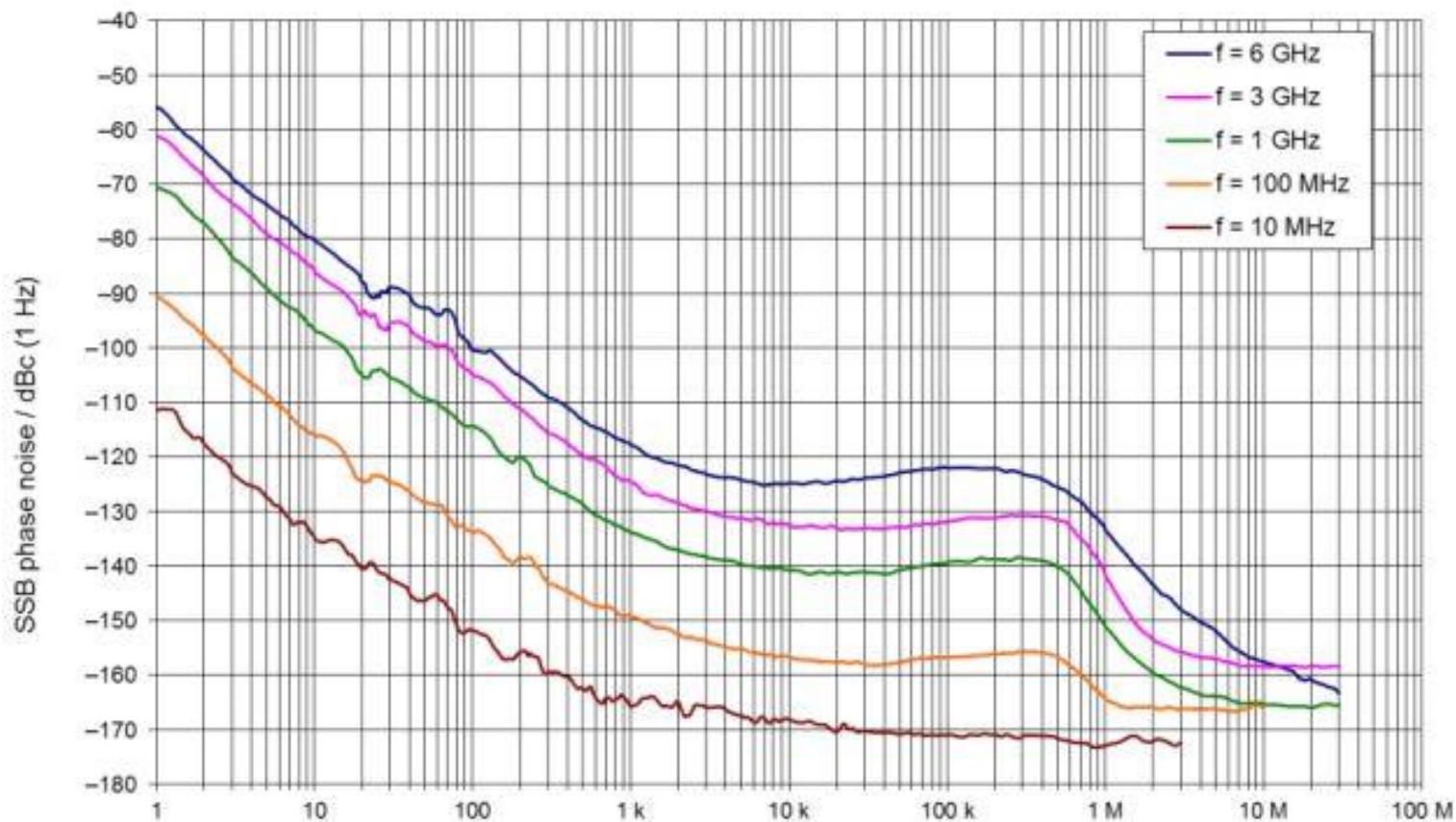
- **Antennas**
 - Receive antennas are easier to achieve wide-band performance than transmit ones
 - New fractal & plasma antennas expected in smaller size and wideband capability
- **Waveforms**
 - Management and selection of multiple waveforms
 - Cancellation carriers and pulse shaping techniques
- **Analog-to-digital converters**
 - High ADC sampling speed
 - ADC bandwidth could be digitized instantaneously
- **Digital signal processing/FPGAs**
 - Number of transistors doubles every 18 months
 - More specific purpose DSPs and FPGAs
- **Batteries**
 - More and more power needed (need to focus on more efficient use of power)
 - Fuel cell development for handhelds
- **Terrain databases**
 - Interference prediction, environment awareness
- **Cognitive science**
 - A key aspect will be to understand how multiple CRs work with each other

Block Diagram: Software Defined Radio



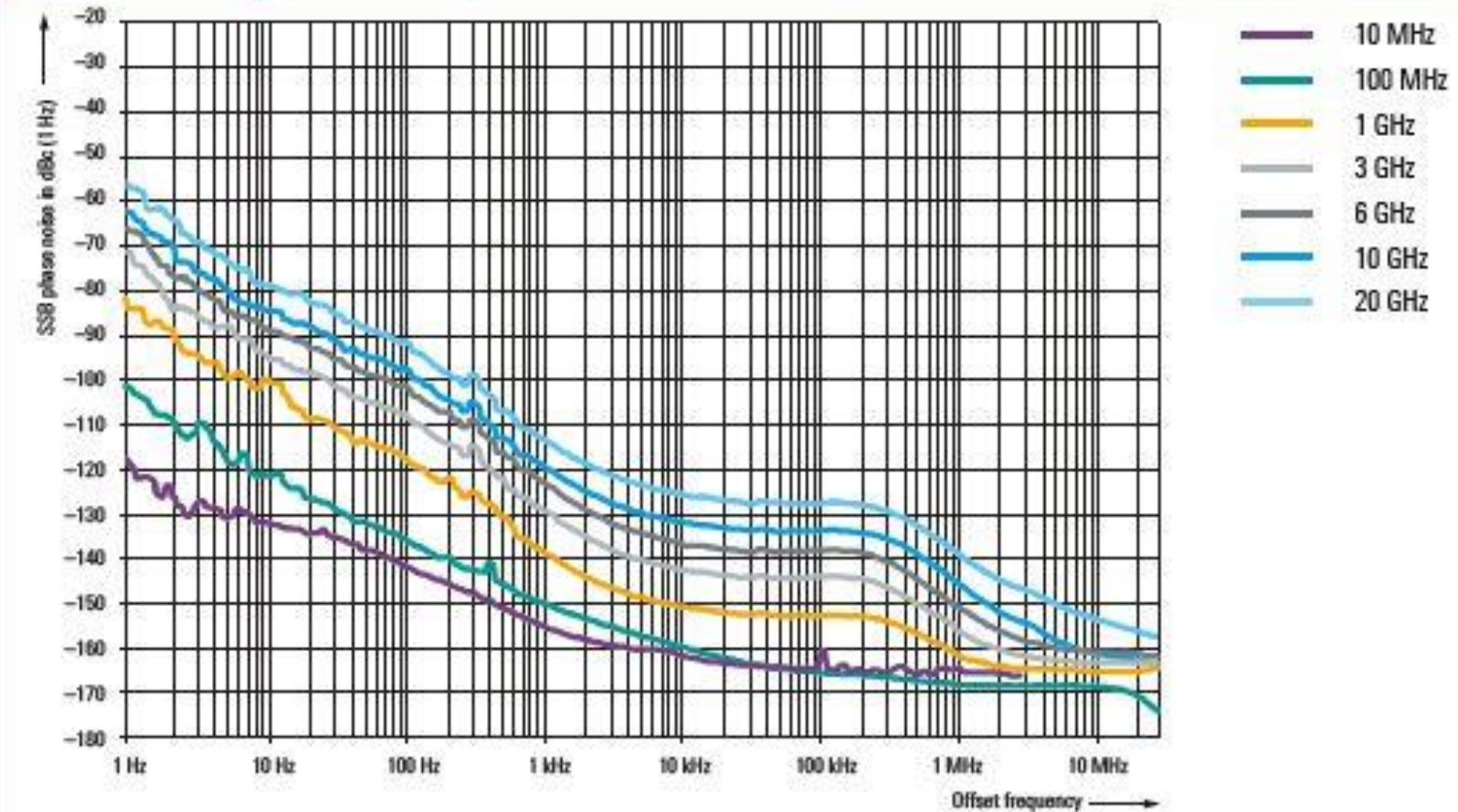
Oscillator Phase Noise - 1

Measured SSB phase noise with internal reference oscillator (standard instrument).



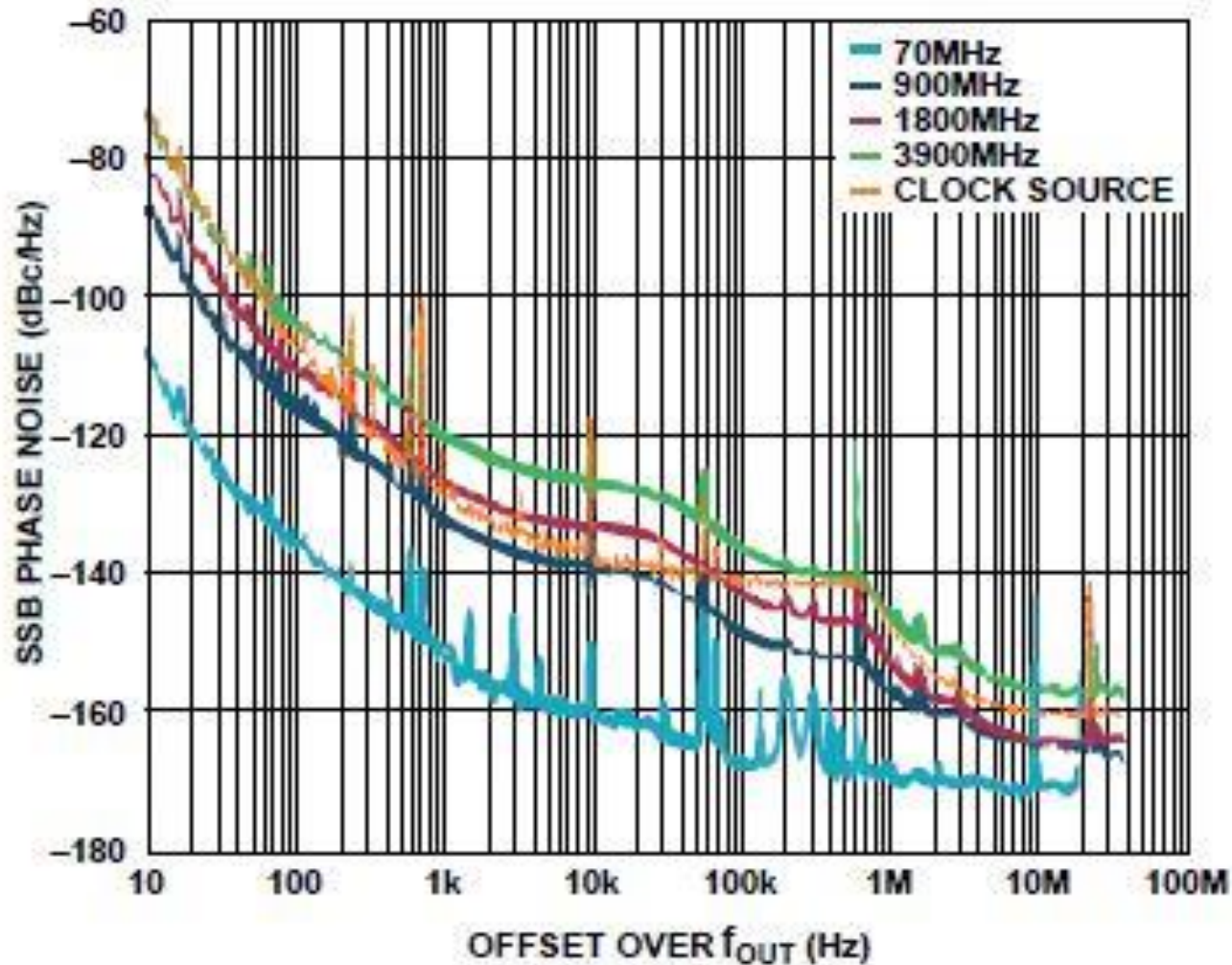
Oscillator Phase Noise - 2

Measured SSB phase noise performance of the R&S[®]SMA100B with R&S[®]SMAB-B711 option



Oscillator Phase Noise – 3

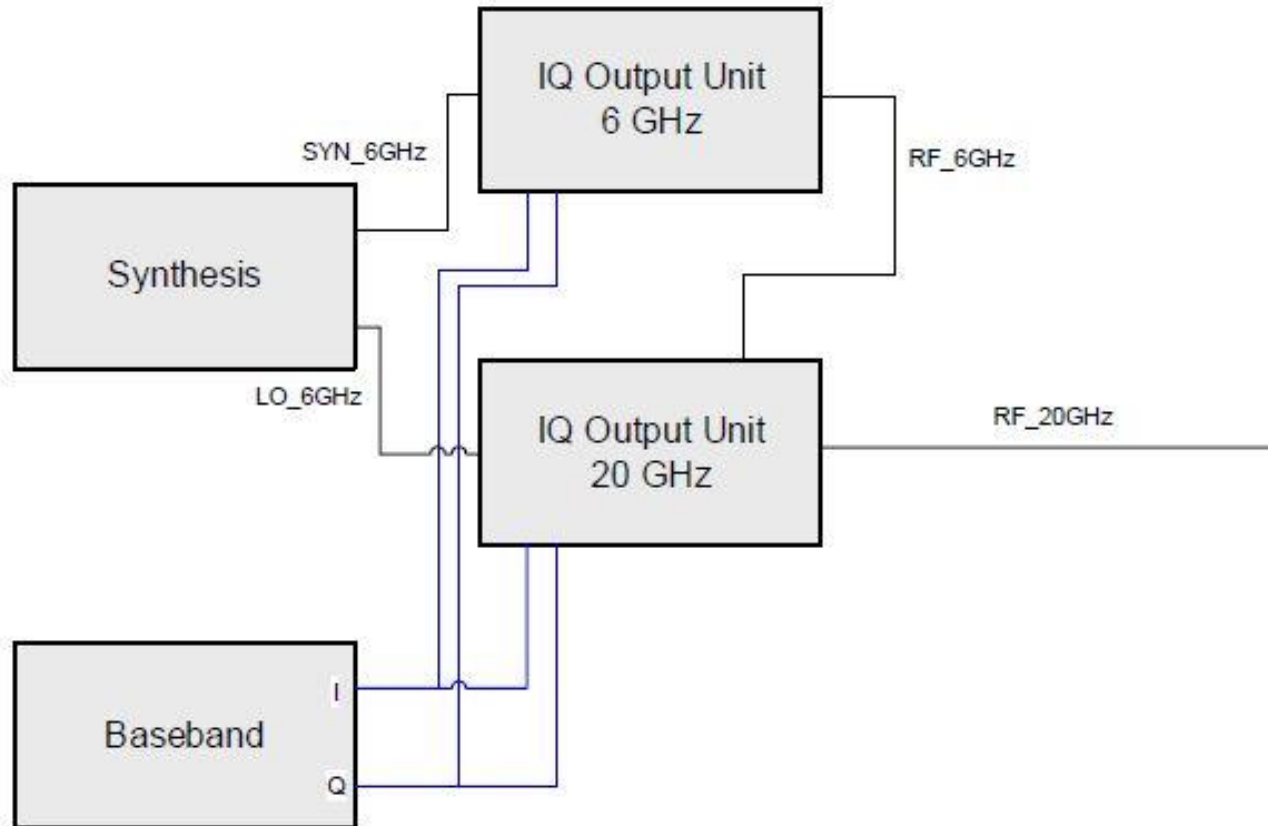
IC -PLL



14414-035

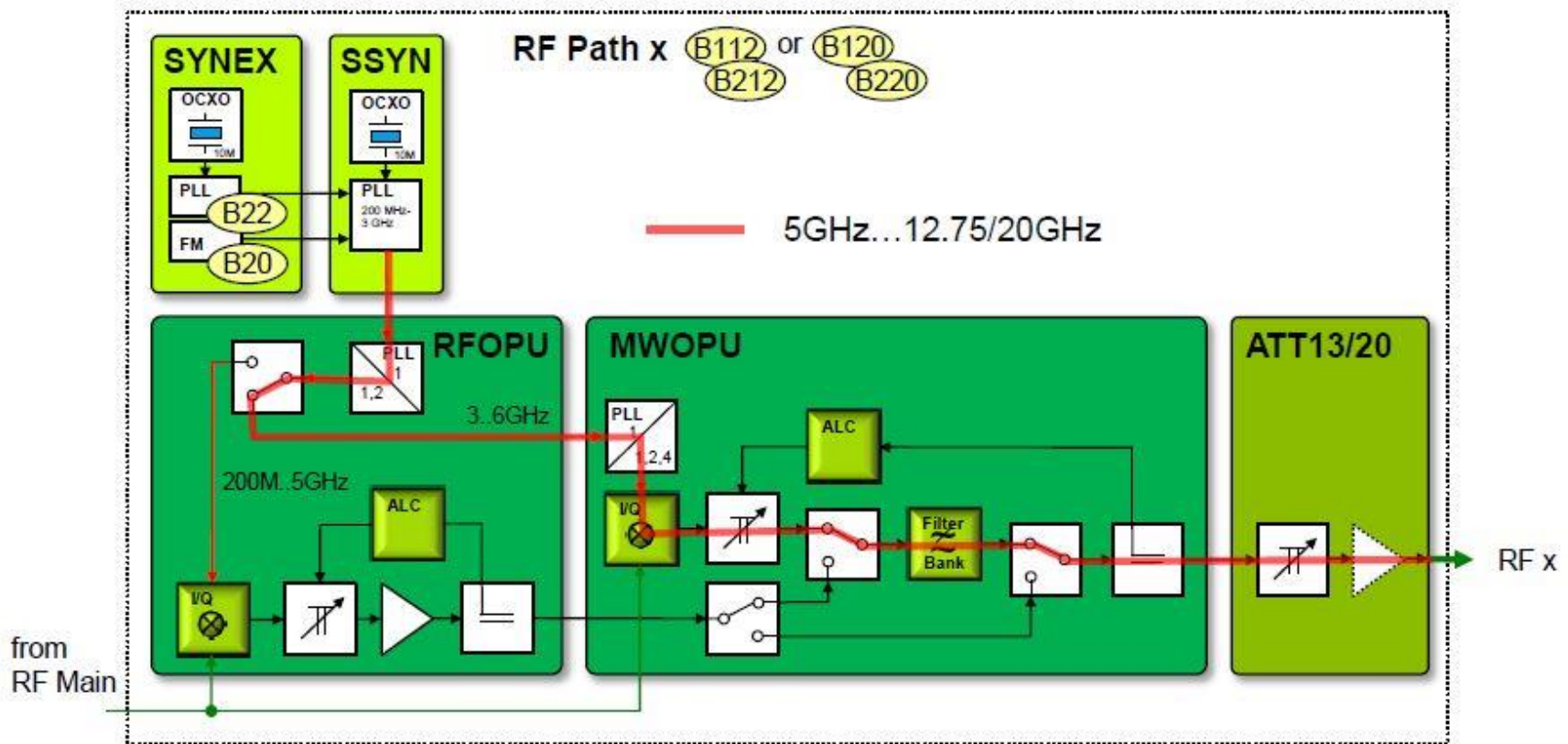
Frequency Generation

Vector Signal Generator



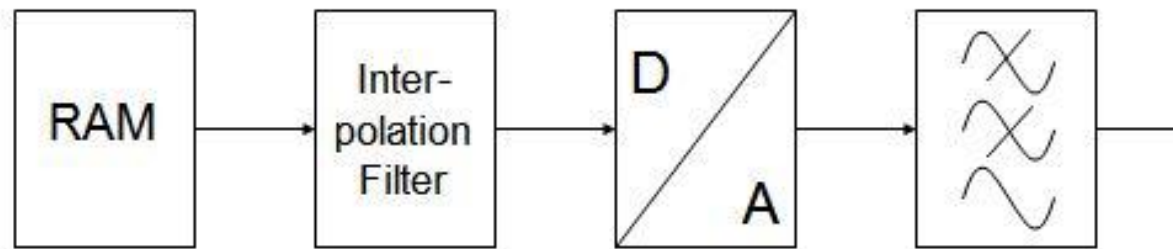
Frequency Generation, cont'd.

RF Block Diagram Overview (12.75/20GHz, IQ)



NCO (Numerically Controlled Oscillator)

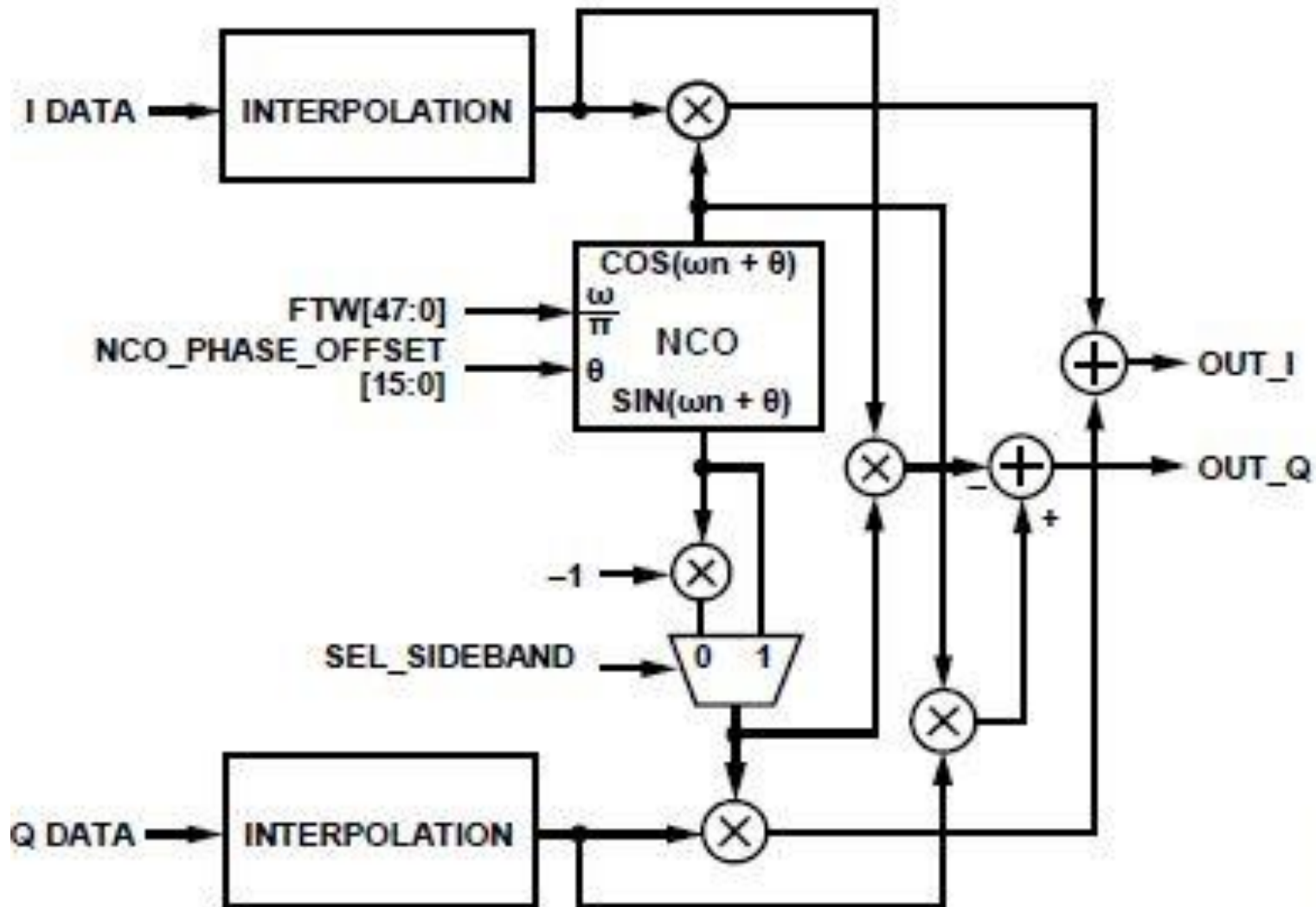
Modern ARB



- ◆ A modern ARB substantially consists of
 - ◆ Output memory
 - ◆ **Interpolation filter**
 - ◆ D/A-converter
 - ◆ Analog low pass filter

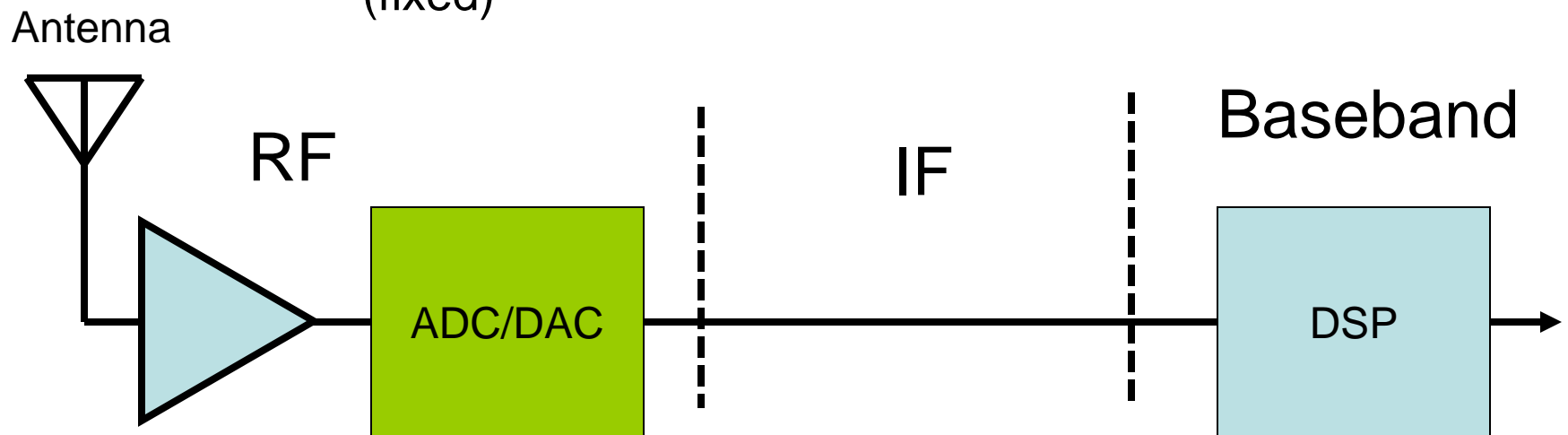
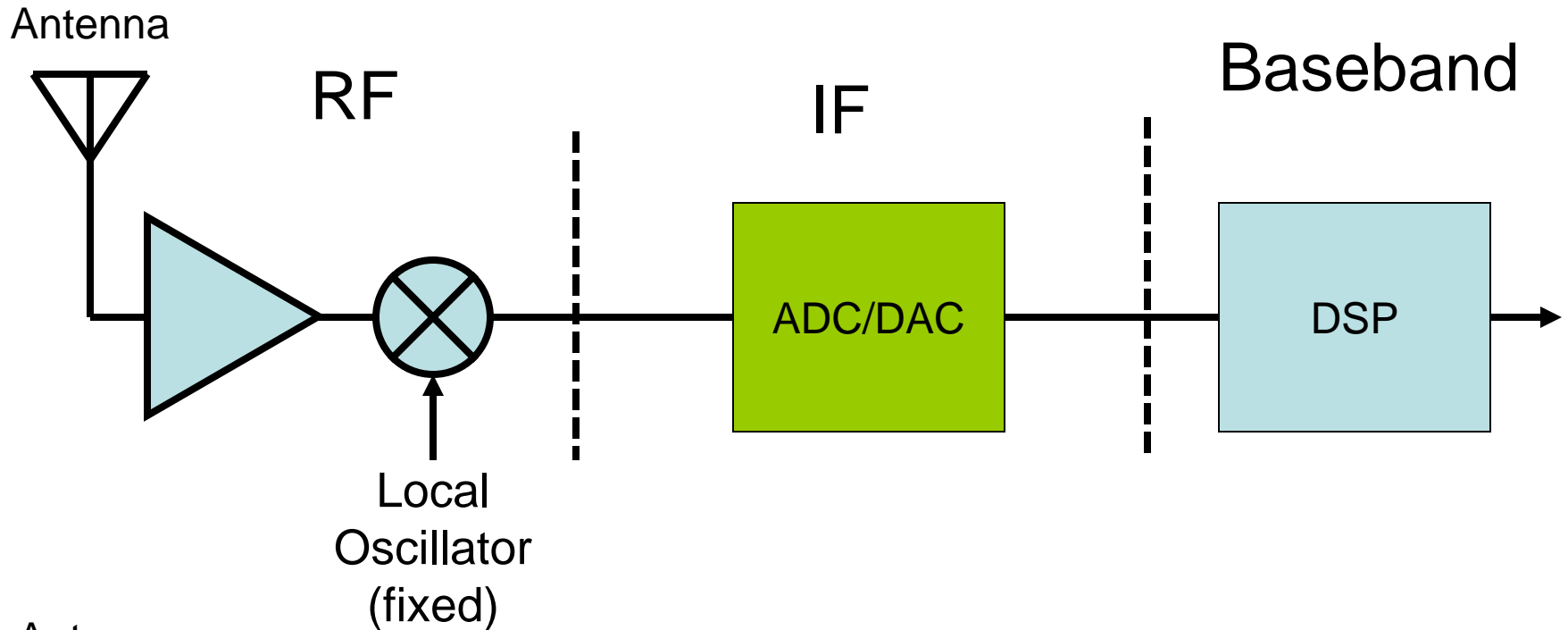
NCO Block Diagram

48 Bits Resolution



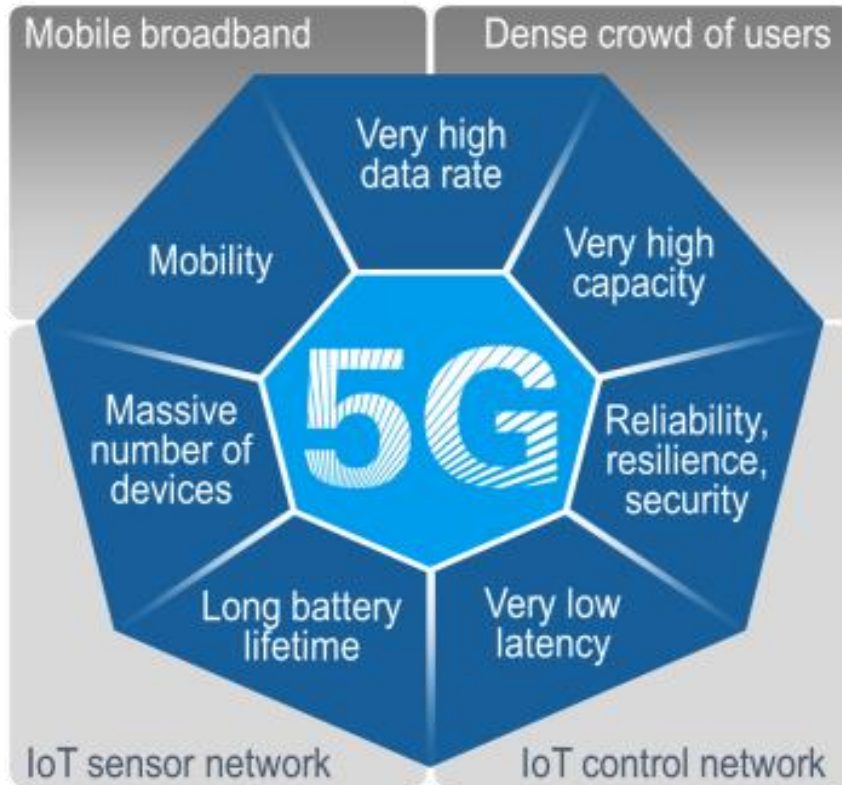
14454-908

Block Diagram: Software Defined Radio



5G: Emerging Cellular Networks

5G drivers

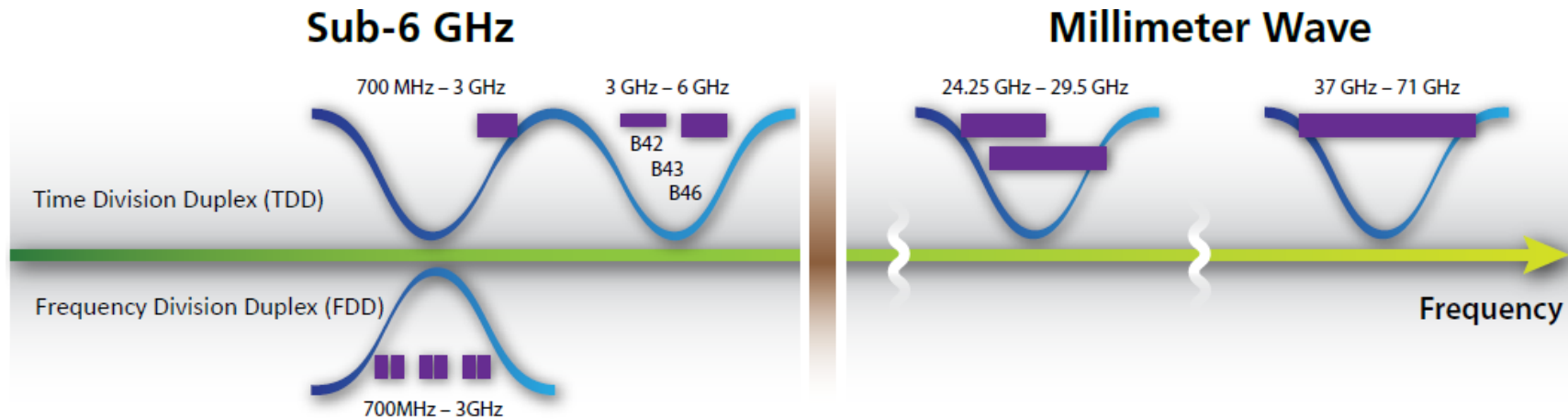


Mobile operators have just commercialized LTE and few of the features that make LTE a true 4G technology have made it into live networks. **So why is industry already discussing 5G?**

- Constant user demands for higher data rates and faster connections require a lot more wireless network capacity, especially in dense areas.
- The industry is expecting demand for 100x higher peak data rate per user and 1000x more capacity, and better cost efficiency defined these as targets for the 5th generation of mobile networks (5G).
- Internet of Things (IoT) provides new challenges to be addressed. It is anticipated that millions of devices will “talk” to each other, including machine to machine (M2M), vehicle-to-vehicle (V2V) or more general x-2-y use cases.

Beyond doubt there is a need to improve the understanding of potential new air interfaces at frequencies above current cellular network technologies, from 6 GHz right up to 100 GHz, as well as advanced antenna technologies such as massive MIMO and beam forming, very long battery lifetimes (years instead of days) and very low response times (latency) call for another “G” in the future !!!

Present Technology and Planned 5G Spectrum



Product Format Example	FEMiD / PAMiD / DRx	FEMiD / PAMiD / DRx	8T / 8R Antenna Complete Front-end	8T / 8R Antenna Complete Front-end
Technology				
Power Amp	III-V / SiGe / Bulk CMOS	III-V / SiGe / Bulk CMOS	InP / SiGe BiCMOS / Advanced SOI	InP / GaN / SiGe BiCMOS / Advanced SOI
Low Noise Amp	III-V / SiGe / SOI CMOS	III-V / SiGe / SOI CMOS	Advanced SOI / GaN	SiGe BiCMOS / Advanced SOI
RF Switching	SOI CMOS	SOI CMOS	Advanced SOI	Advanced SOI
Filtering	Acoustic / IPD / Ceramic	Acoustic / IPD / Ceramic	IPD / Ceramic	IPD
Antenna Integration	N/A	N/A	Yes	Yes
Signal Generation	N/A	N/A	Advanced SOI / SiGe BiCMOS	Advanced SOI / SiGe BiCMOS

Table represents existing technology and spectrum for SDR frequency spectrum in terms of waveforms

Radios: What is Desired? Capacity or Cost

Spectral Efficiency (Capacity)

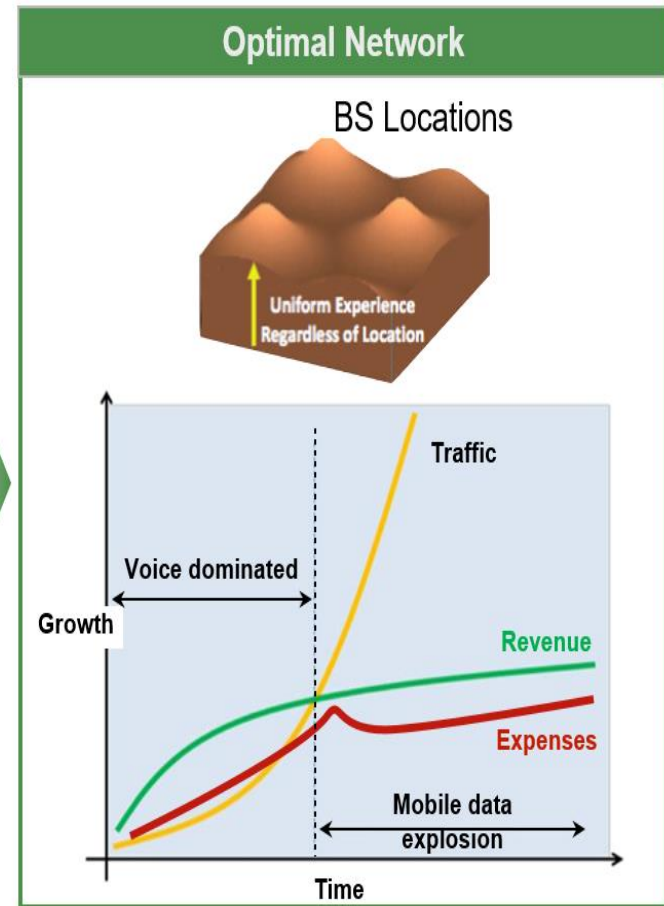
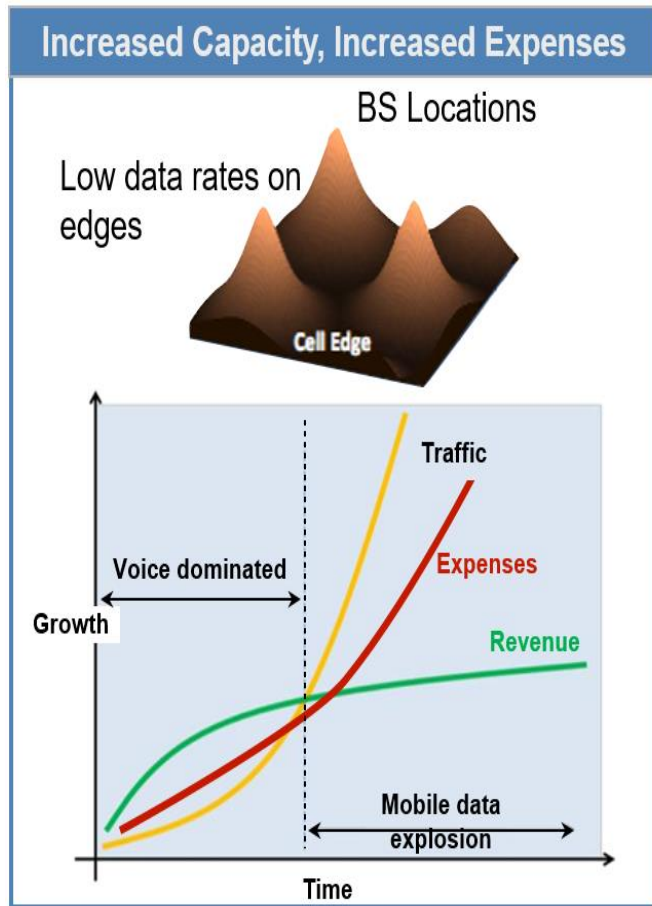


Energy Efficiency (Cost)



**What is better?
In terms of capacity and cost**

5G Business Case



Drive profit by reducing expenses (energy efficiency)

Why 5G? Power Consumption

Cellular Network Energy Consumption (China)

2G GSM

830,000 base stations

80 GWH (96 KWH per BTx)



3G TD-SCDMA

350,000 base stations

13 GWH (37 KWH per BTx)



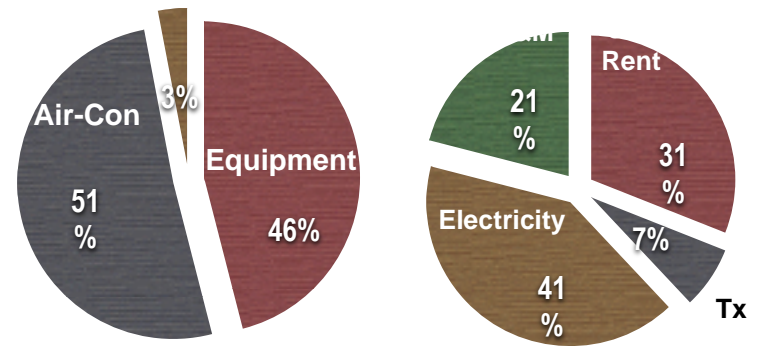
Service Type	Ratio (%)	Packet Size (kB)	Data to Signaling Ratio (DSR)
Text/M	60	1	1 to 3
Voice	35	10	65 to 375
Photo	4	150	
Video	1	1500	

4G TD-LTE

800,000 base stations

16 GWH (20 KWH per BTx)

Radio Access Network Energy Consumption



CAPEX

OPEX

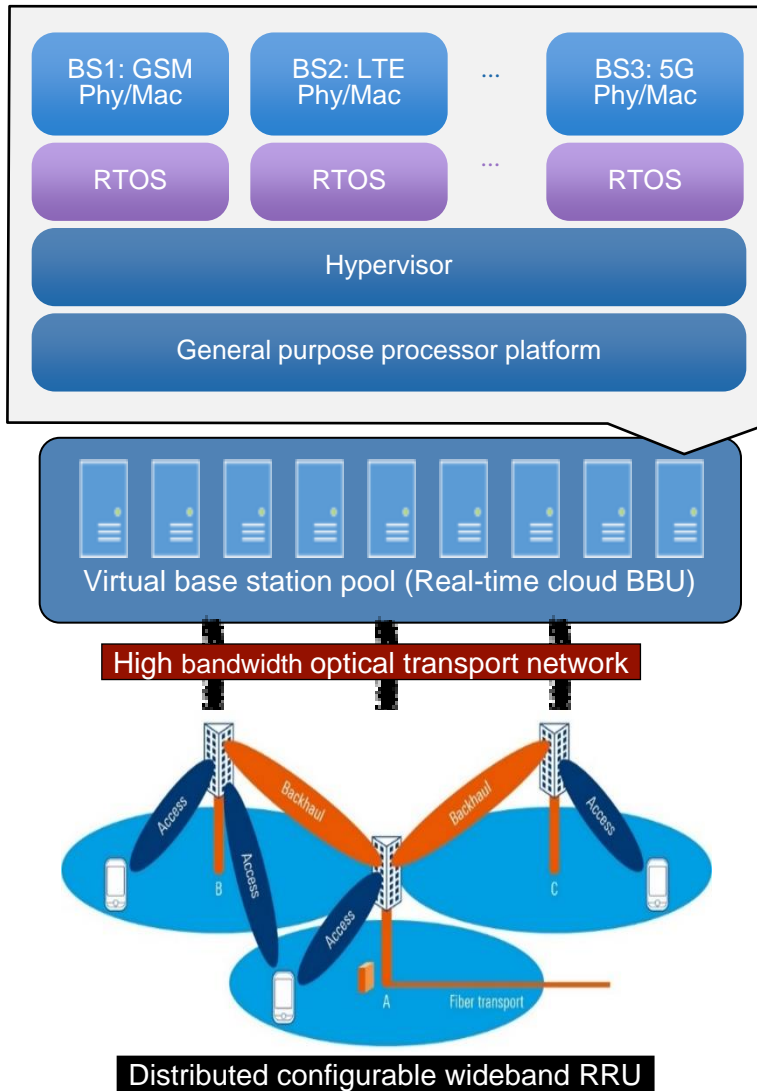
Biggest CAPEX/OPEX Expense is Air Conditioning

CMRI, "C-RAN: The Road Towards Green RAN," Dec. 2013

Example: China Mobile Network in 2013 consumed over 15 Billion KWH

Source: IEEE Communications Magazine, Feb 2014

Energy Efficiency: Centralized Baseband Processing



Centralized Control/Processing

- Centralized processing resource pool that can support 10~1000 cells

Collaborative Radio

- Multi-cell joint scheduling and processing

Real-Time Cloud

- Target to open IT platform
- Consolidate the processing resource into a cloud
- Flexible multi-standard operation and migration

Clean System Target

- Less power consuming
- Lower OPEX
- Fast system roll-out

-15% Capital Costs

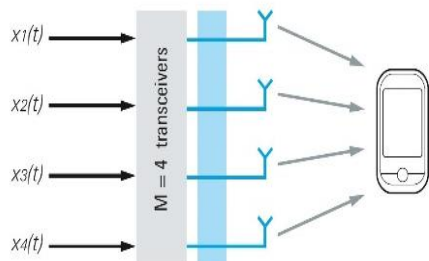
-50% Operating Costs

-70% Power Consumption

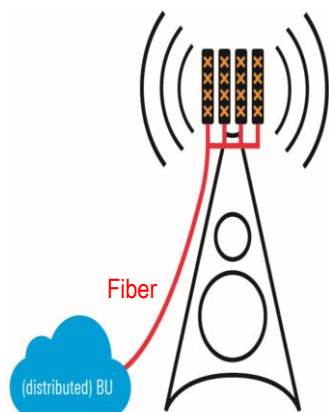
Architecture	Equipment	Air Con	Switching	Battery	Transmission	Total
Traditional	0.65 kW	2.0 kW	0.2 kW	0.2 kW	0.2 kW	3.45 kW
Cloud Radio	0.55 kW	0.01 kW	0.2 kW	0.1 kW	0.0 kW	0.86 kW

Spectral Efficiency

More channels = MIMO (5G FR1)
Linear increase



Massive MIMO



Shannon Channel Information Capacity

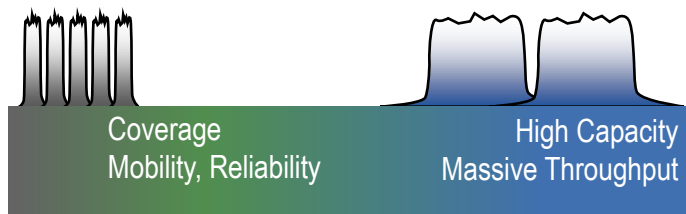
Capacity (bits/second)

$$C = W \log_2 (1 + \gamma)$$

Signal BW (Hz)

SNR (S/N)

Larger signal BW = mmWave (5G FR2)
Linear increase



FR1: Sub-6GHz

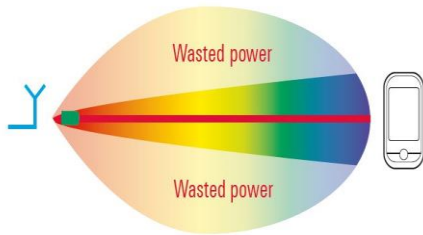
FR2 mmWave: 24-90 GHz

SNR increase (log2 increase)

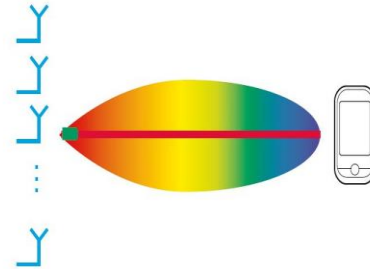


Energy Efficiency: Why Massive?

Traditional base station antenna



Massive MIMO antenna array



Number of antennas = 1

Number of BS transmit antennas

1

Normalized output power of antennas

$$P_{ant} = \frac{1}{M_t} = 1$$

Normalized output power of base station

$$P_{total} = \sum_{i=1}^{M_t} P_{ant}^i = 1$$

Number of UEs: 1
120 antennas per UE

120

$$P_{ant} = \frac{1}{P_t^2}$$

$$P_{total} = \sum_{i=1}^{M_t} P_{ant}^i \sim 1/1000$$

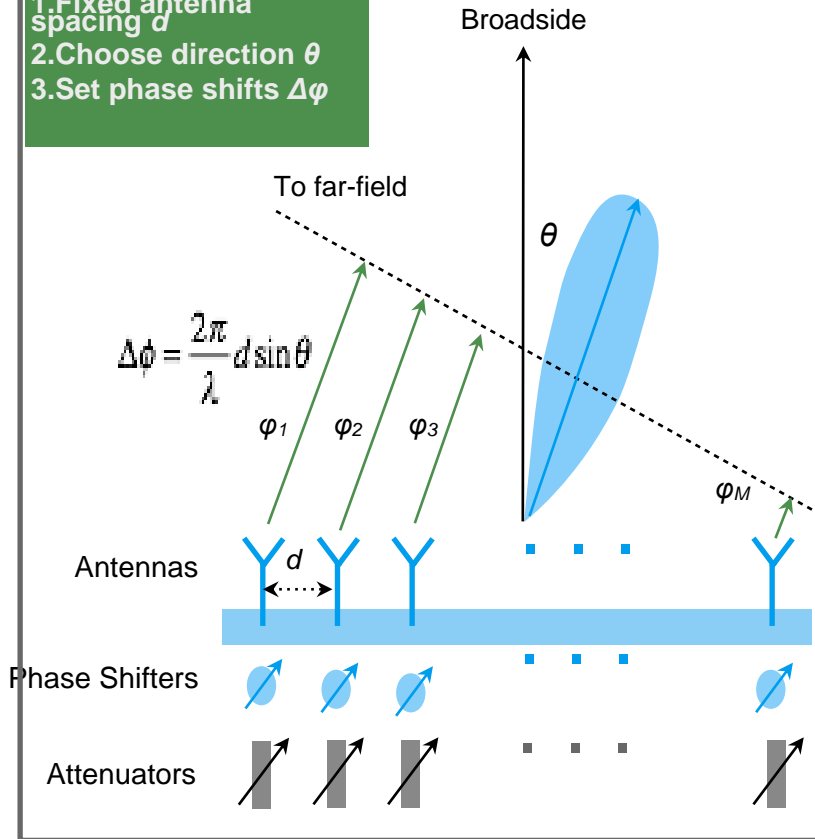
Source: IEEE Signal Processing Magazine, Jan 2013

Improve energy efficiency: beamforming

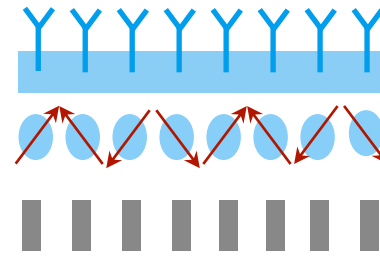
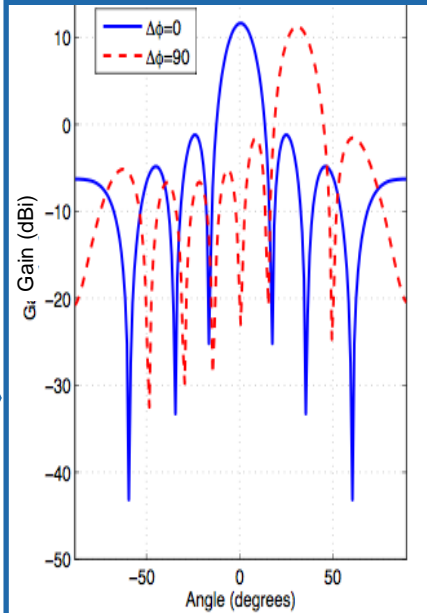
How to Beam form?

Principle of Beamforming & Beamsteering

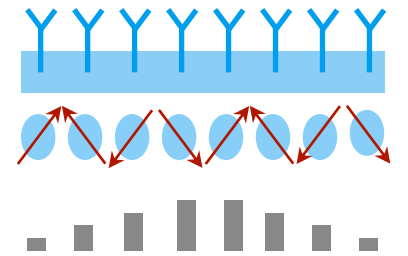
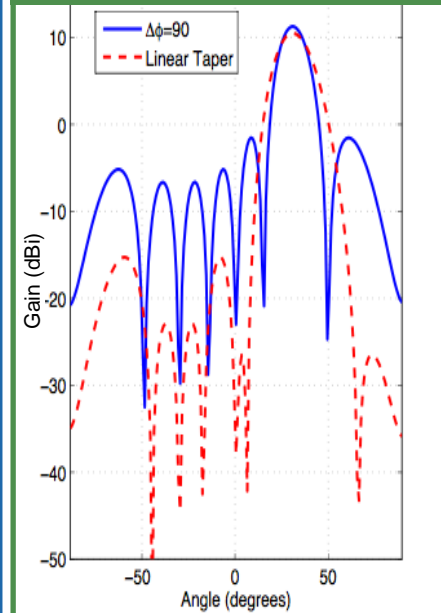
1. Fixed antenna spacing d
2. Choose direction θ
3. Set phase shifts $\Delta\phi$



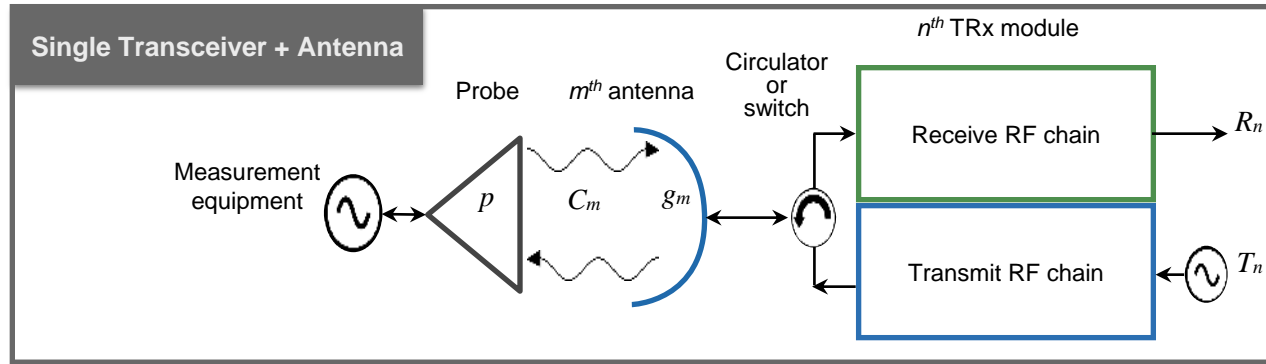
Beamsteering (Phase Shift)



Sidelobe Suppression



Beamforming Architectures

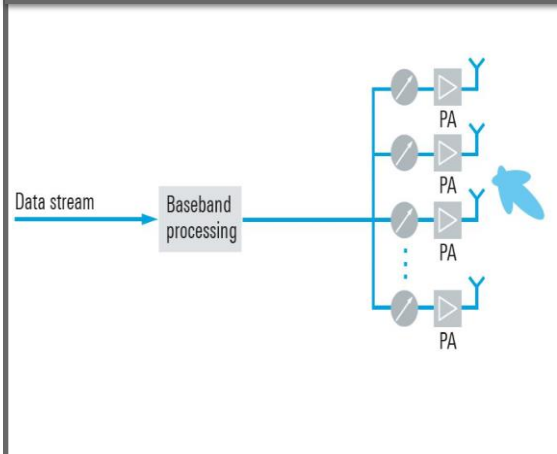


From Analog

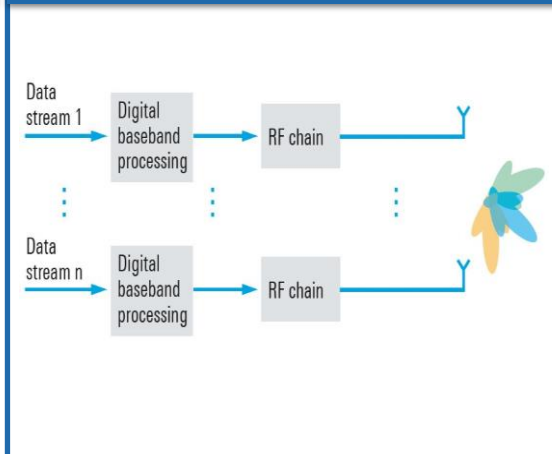
... To Digital

... To Hybrid

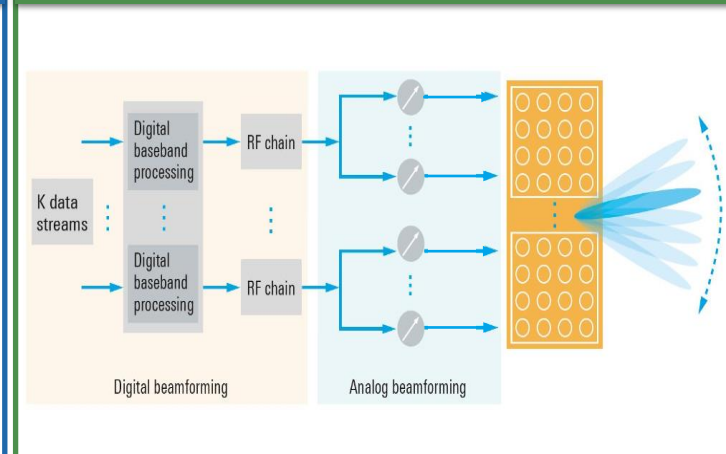
Analog Beamforming (ABF)



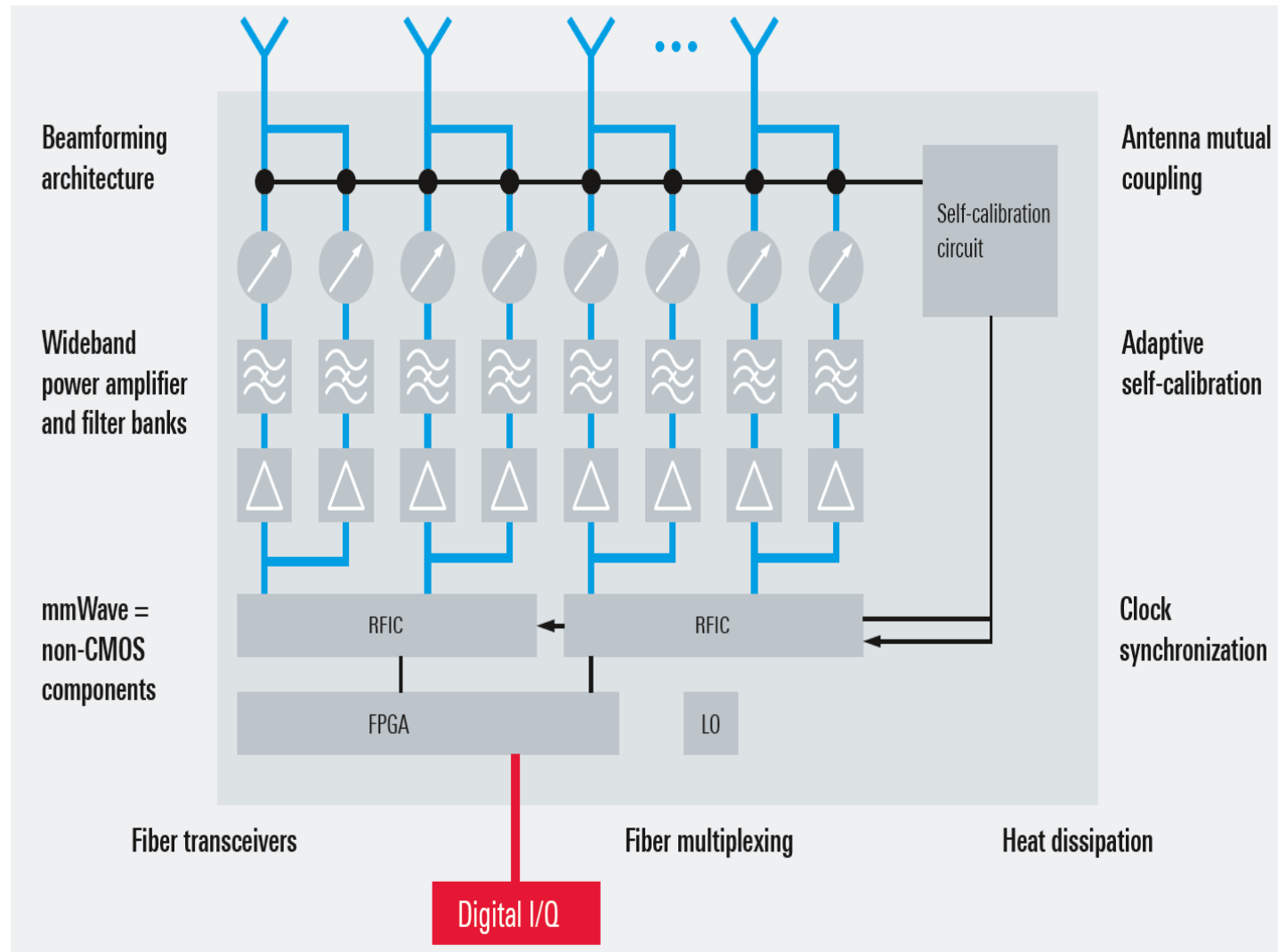
Digital Beamforming (DBF): 5G FR1



Hybrid Beamforming (HBF): 5G FR2

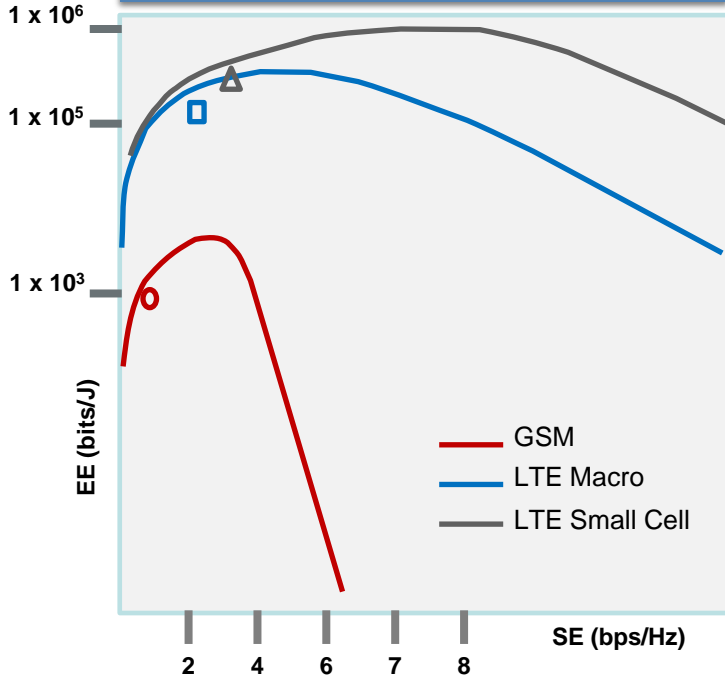


Massive MIMO = Complex Base Stations



Which is the Optimal Network?

2G & 4G Capacity

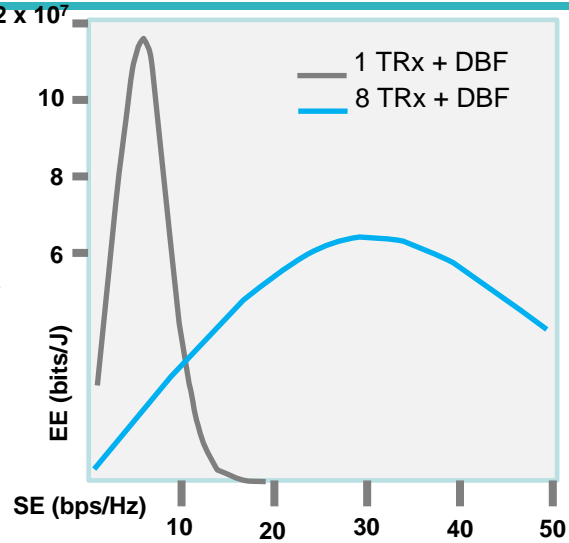


2G Optimal Capacity: 2-4 bps/Hz

4G Optimal Capacity: 8-10 bps/Hz

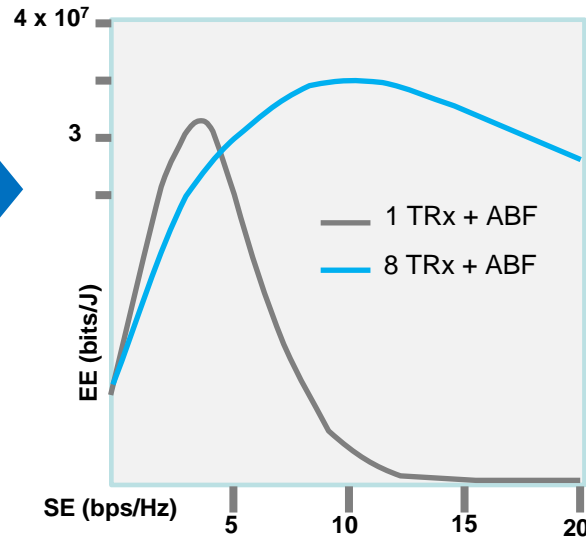
Sources: IEEE Communications Magazine, Feb 2014 & Jan 2015

FR1



5G optimal capacity for DBF massive MIMO
(8 TRx per user)
SE: 30 bps/Hz
EE: 6×10^7 bits/Joule

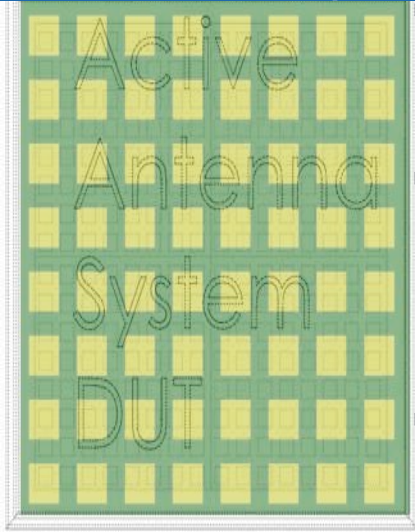
FR2



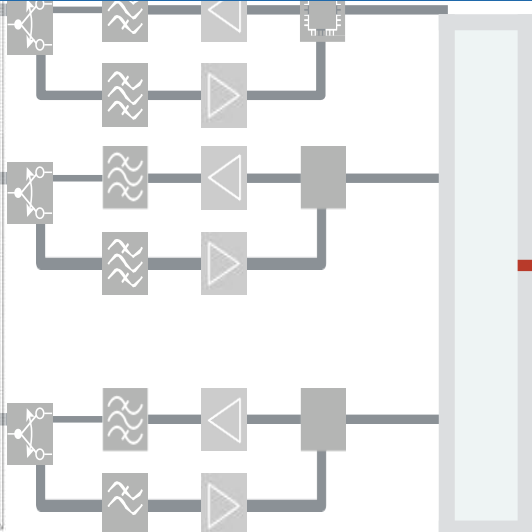
5G optimal capacity for hybrid beamforming mmWave (50 antennas)
(8 TRx per array)
SE: 10 bps/Hz
EE: 3.5×10^7 bits/Joule

5G Devices: New Measurement Paradigms

Active Antenna System (Massive MIMO or mmWave)



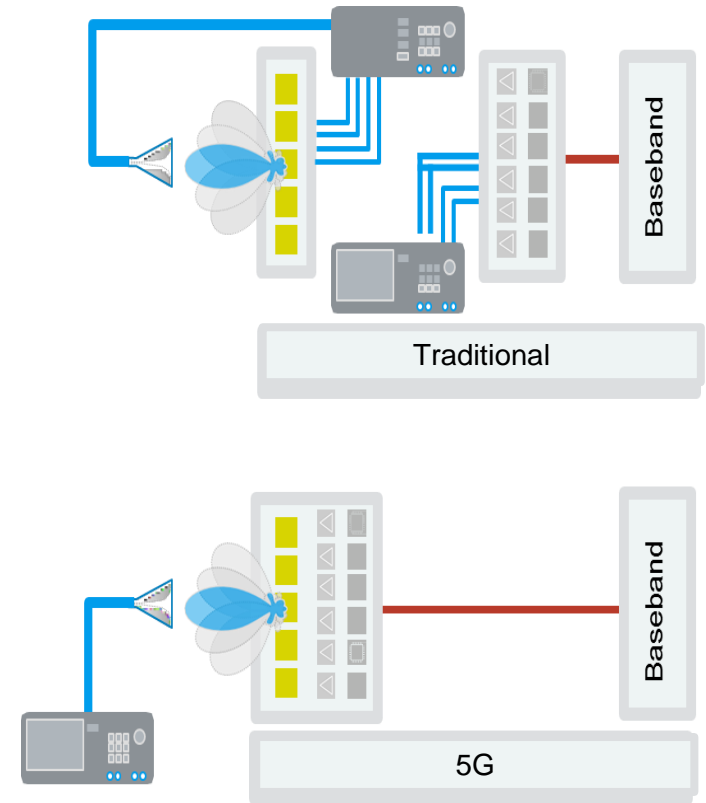
64 - 128 Antennas



8 - 128 RF Transceivers

FPGA + Fiber TRx

Dig I/Q



Basic Over-The-Air (OTA) Test Setup

Passive measurements

2D/3D antenna characterization



R&S®AMS32 OTA performance measurement software

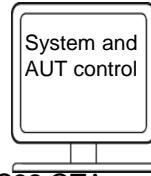
R&S®CONTEST



R&S®ZNA vector network analyzer

Active measurements

RF transceiver characterization



R&S®AMS32 OTA performance measurement software

R&S®CONTEST

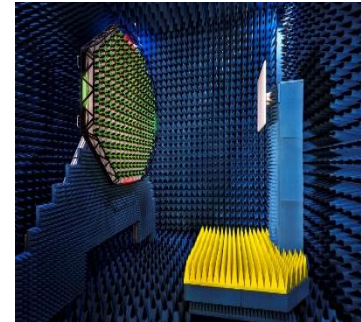


R&S®SMW200A vector signal generator



R&S®FSW signal and spectrum analyzer

OTA test solutions



R&S®PWC200 plane wave converter



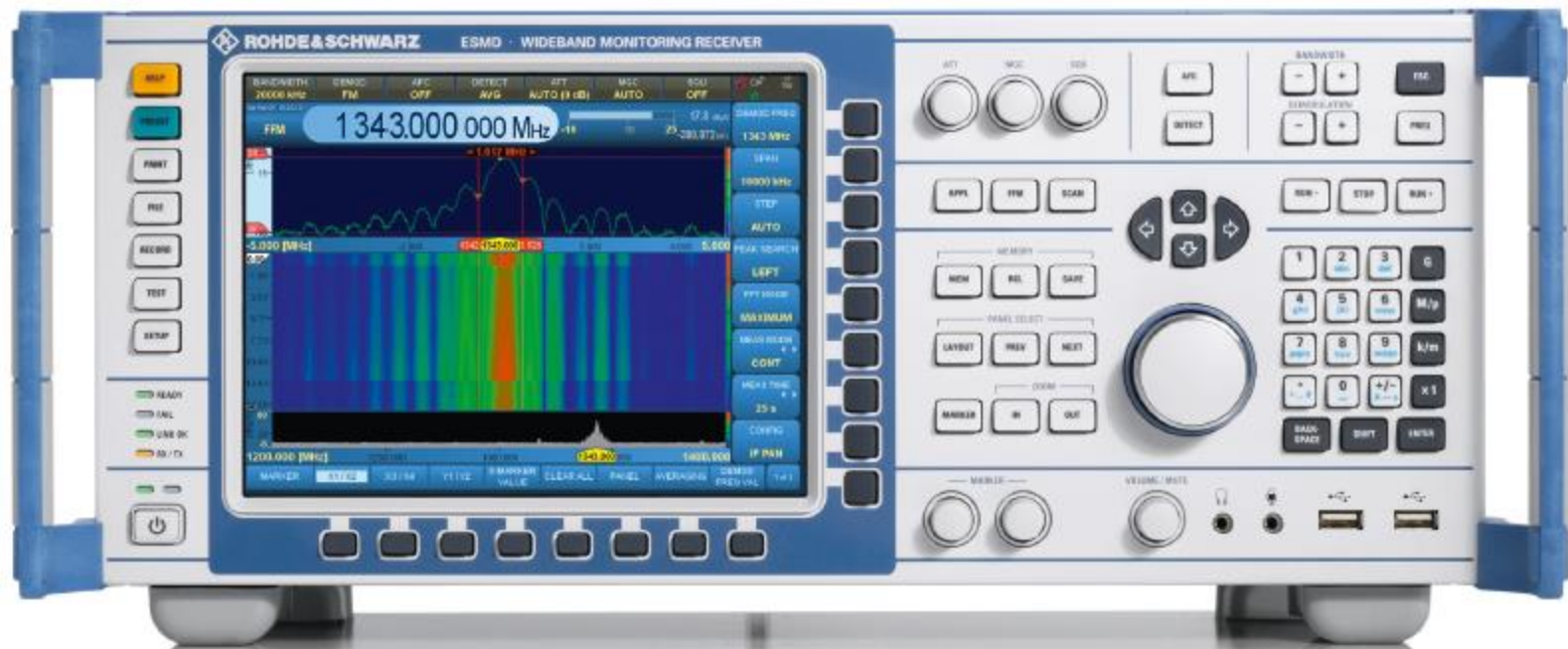
R&S®ATS1800C CATR conformance chamber system



R&S®ATS800R CATR rack based antenna test system

5G & SDR Inspired Monitoring Receiver

R&S ESMD Wide Band Monitoring Receiver



High Dynamic Range !!!

Monitoring Receivers

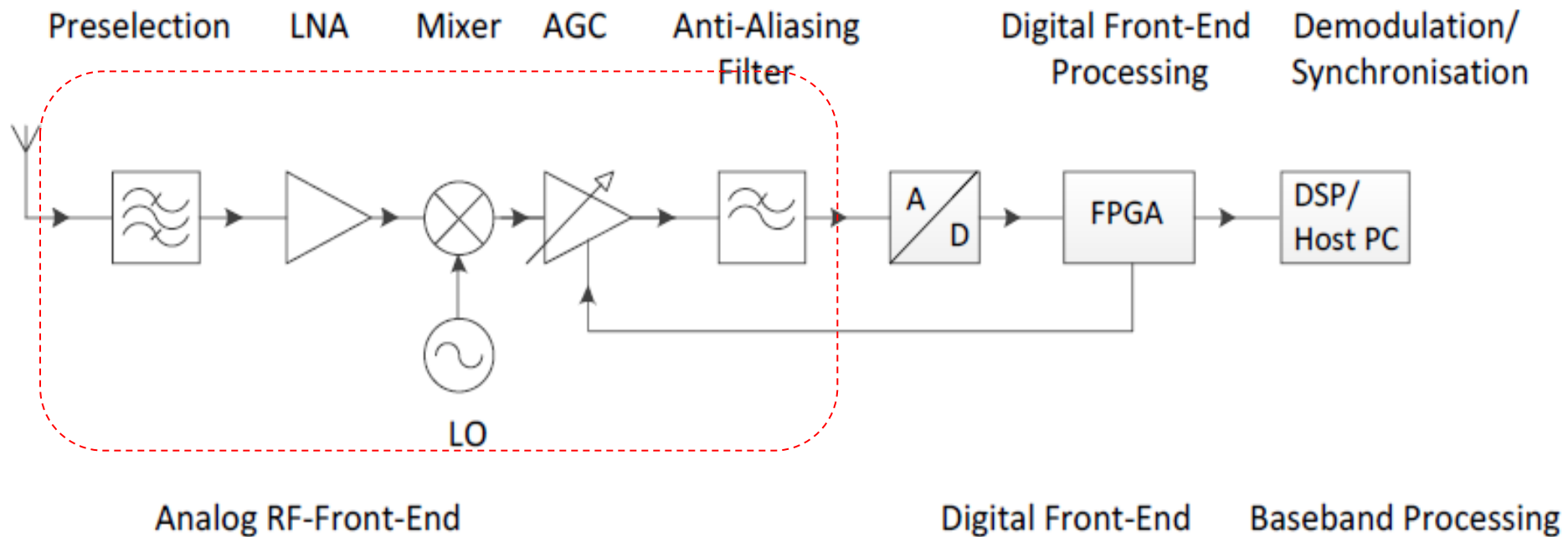
High Dynamic Range Microwave Monitoring Receivers

- Searching for faults in professional radio networks
- Comprehensive spectrum analysis
- Monitoring of user-specific radio services
- Monitoring on behalf of regulating authorities
- Handoff receivers, i.e. **parallel demodulation** of narrowband signals and simultaneous broadband spectrum scanning=High Dynamic Range
- Critical Parameters: **Noise Figure, IP2, IP3, and instantaneous dynamic range**

Best solution:  Software Defined Radio

Typical Microwave Receiver

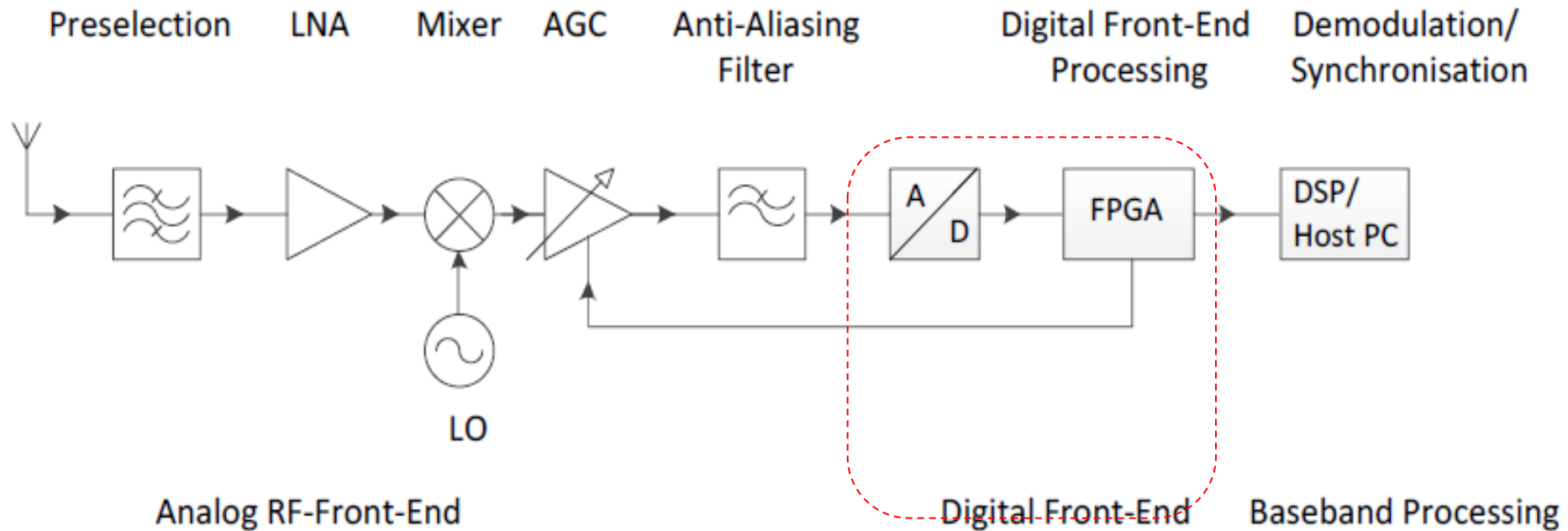
Principal Arrangement for Typical Microwave Receivers



The analog front end is downconverting the RF signals into an IF range <200MHz

Microwave Receiver, Cont'd.

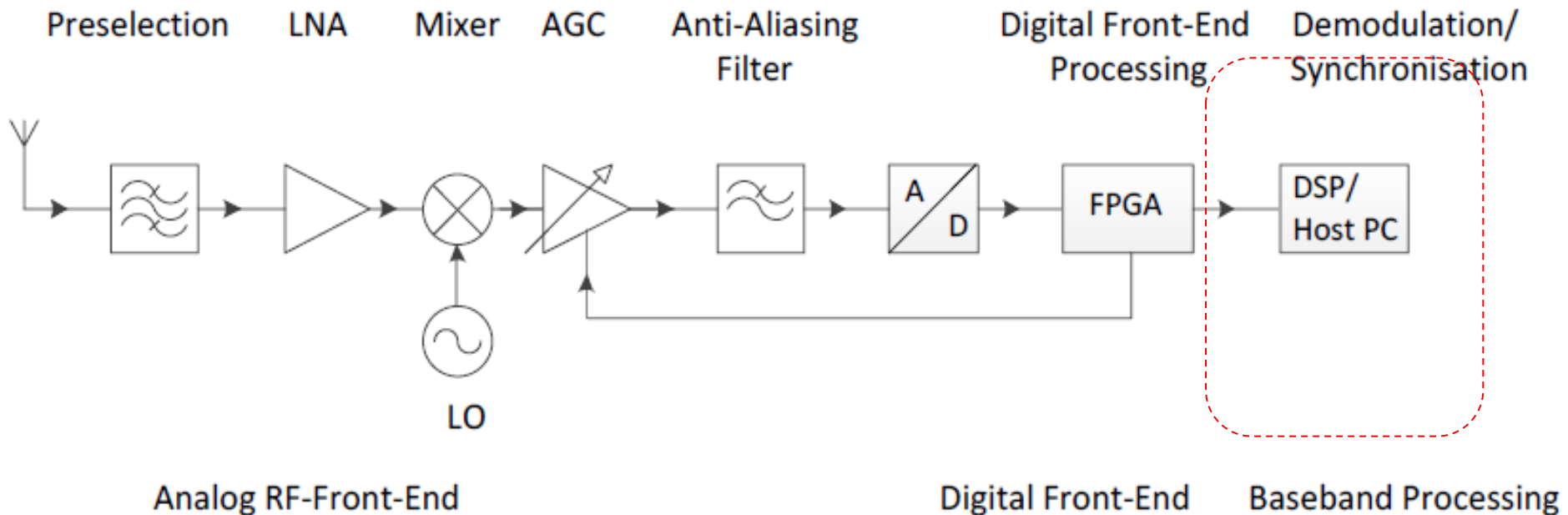
Principal Arrangement for Typical Microwave Receivers



The digital front end consists of an Analog to Digital converter and a digital down-converter to reduce the sample rate down to the bandwidth needed by the application. Sampling rate of AD converters are rising up to 250Mpsps with resolutions of 14 or 16 bits.

Microwave Receiver, Cont'd.

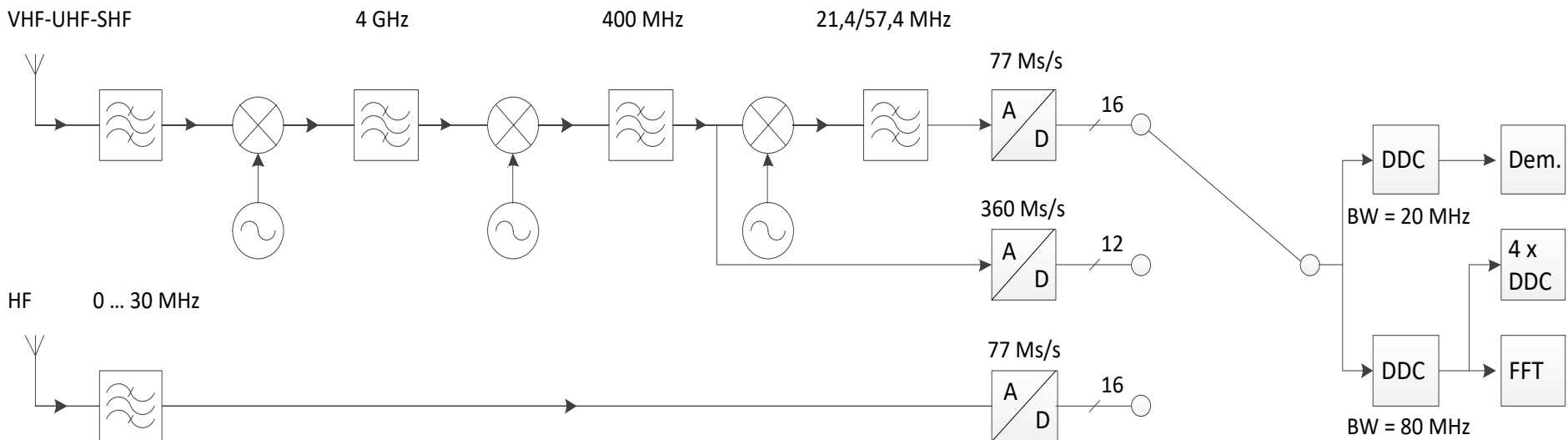
Principal Arrangement for Typical Microwave Receivers



The baseband processing takes over the base band filtering, AGC, demodulation, and the signal regeneration..

Typical Analog Front End

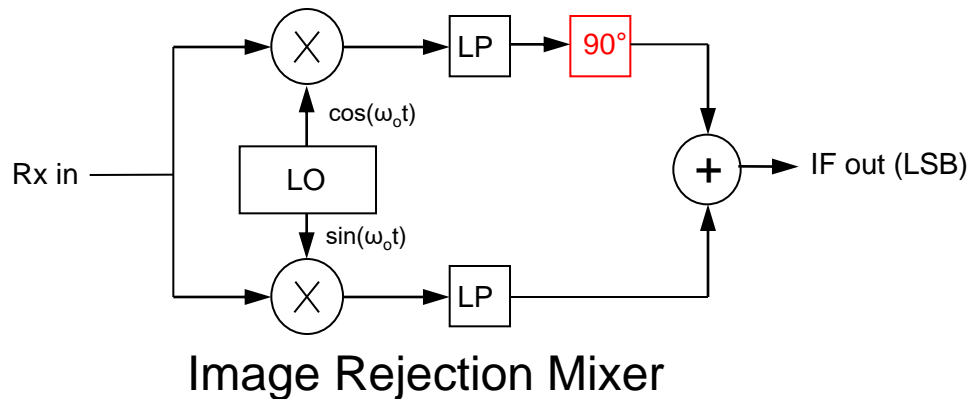
Possible Drawbacks on the Analog Front End



- **Wide band microwave receivers need tripple conversion to prevent image reception**
- **Several expensive and switchable filters are required for pre- and IF-selection**
- **Intermodulation and Oscillator Phase Noise are the main issues**
- **Low noise and high dynamic range are contradictionary**

Image Rejection Mixer

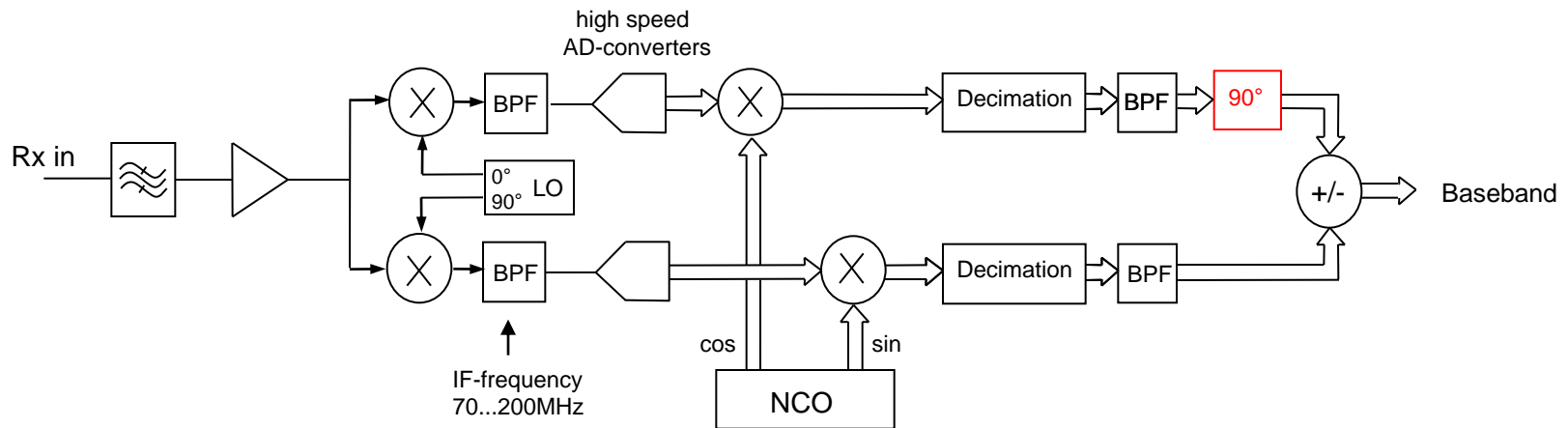
Solution to eliminate tripple Conversion



- An analog Image Rejection Mixer is capable to attenuate the Image by 30...40dB
- Criteria for the image attenuation are amplitude and phase errors in both branches
- The most critical element is the 90° phase shifter, mainly for wide band IF
- The SDR technology allows to move the phase shifter from analog into the digital part, where it can be realized nearly ideal by means of a Hilbert Transformer

Image Rejection Mixer

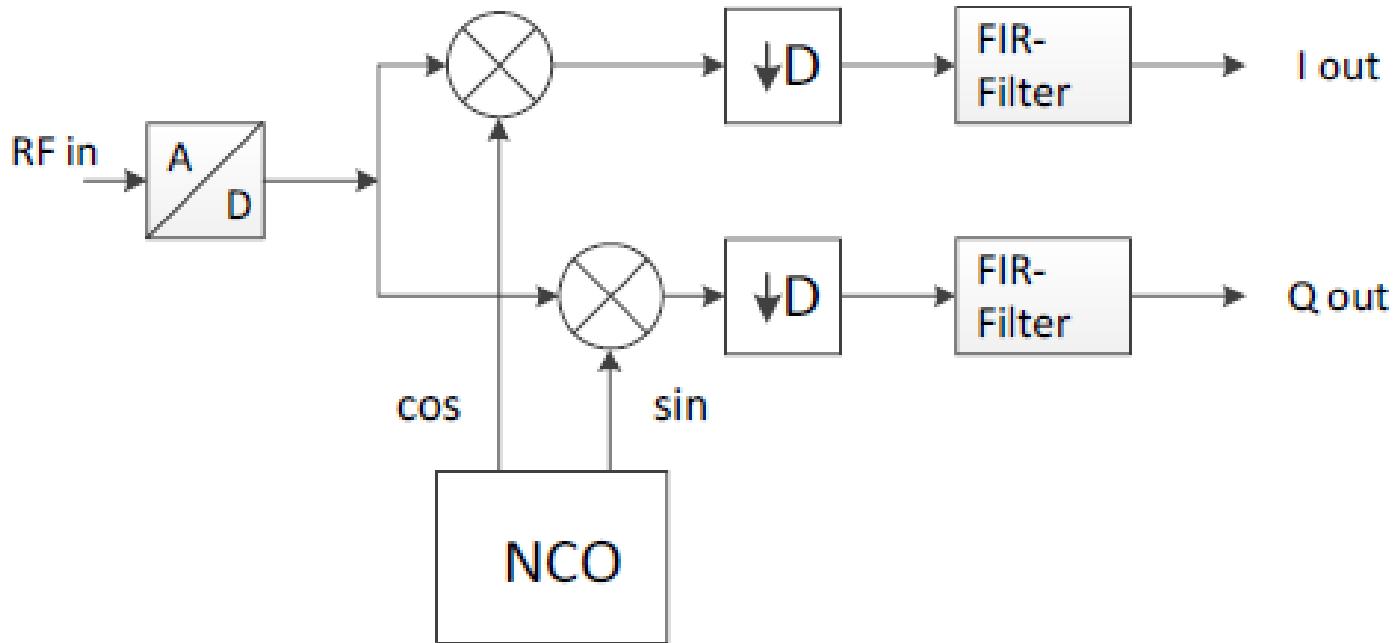
Solution with a distributed Image Rejection Mixer



- The preselector filters may be wider, as they are no longer used for image rejection
- The digital parts, following the AD converter, can be realized in a FPGA
- In a wide band receiver, the LO can be tuned in steps from up to 10MHz which is simplifying the PLL loop filter design. The fine tuning will be done by the NCO
- The image rejection can be further improved by calibration algorithms in the digital part to values up to 80dB

Down Converters

Digital Down Converter

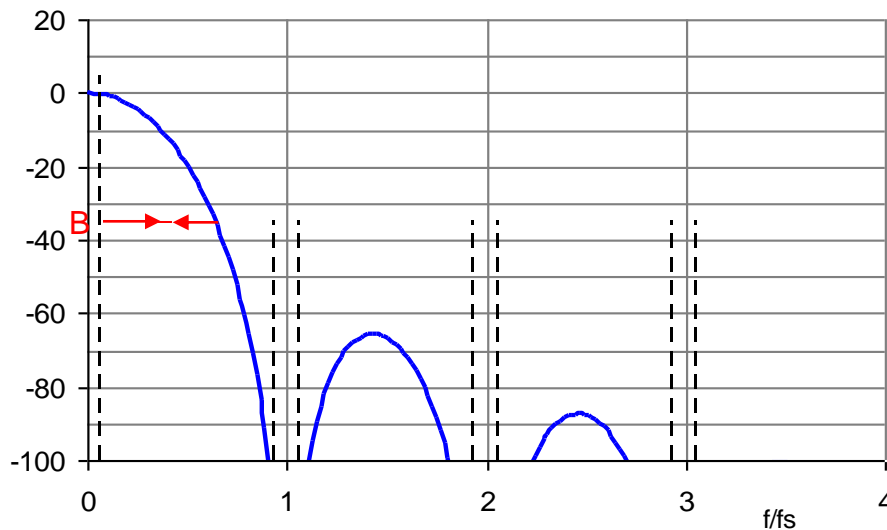
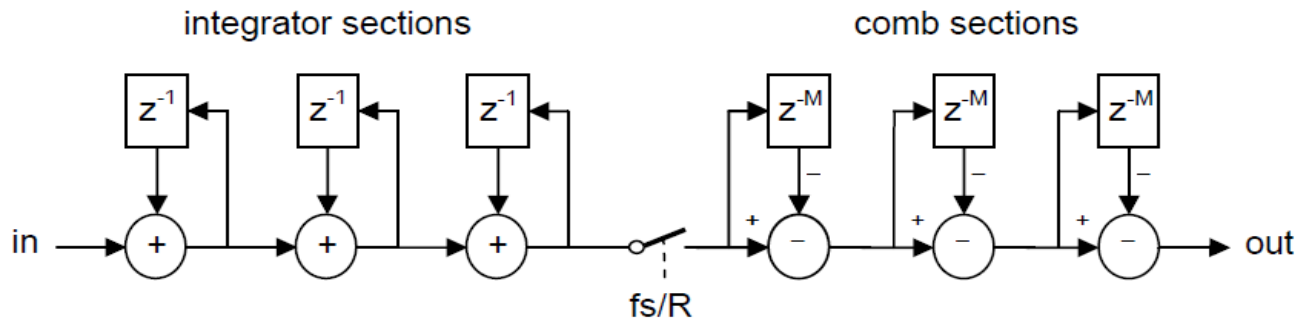


The digital down converter includes:

- a numerically oscillator (NCO)
- a complex IQ-mixer to convert the IF down to approx. 0Hz (zero-IF)
- several decimation filter stages for reducing the sampling rate
- final lowpass FIR-filters (Finite Impulse Response)

Down Converters, Cont'd.

Digital Down Converter



$$|H(f)| = \left| \frac{\sin(\pi \cdot M \cdot f)}{\sin(\pi \cdot f / R)} \right|^N$$

R: decimation factor

N: filter order
(sections)

M = 1 or 2

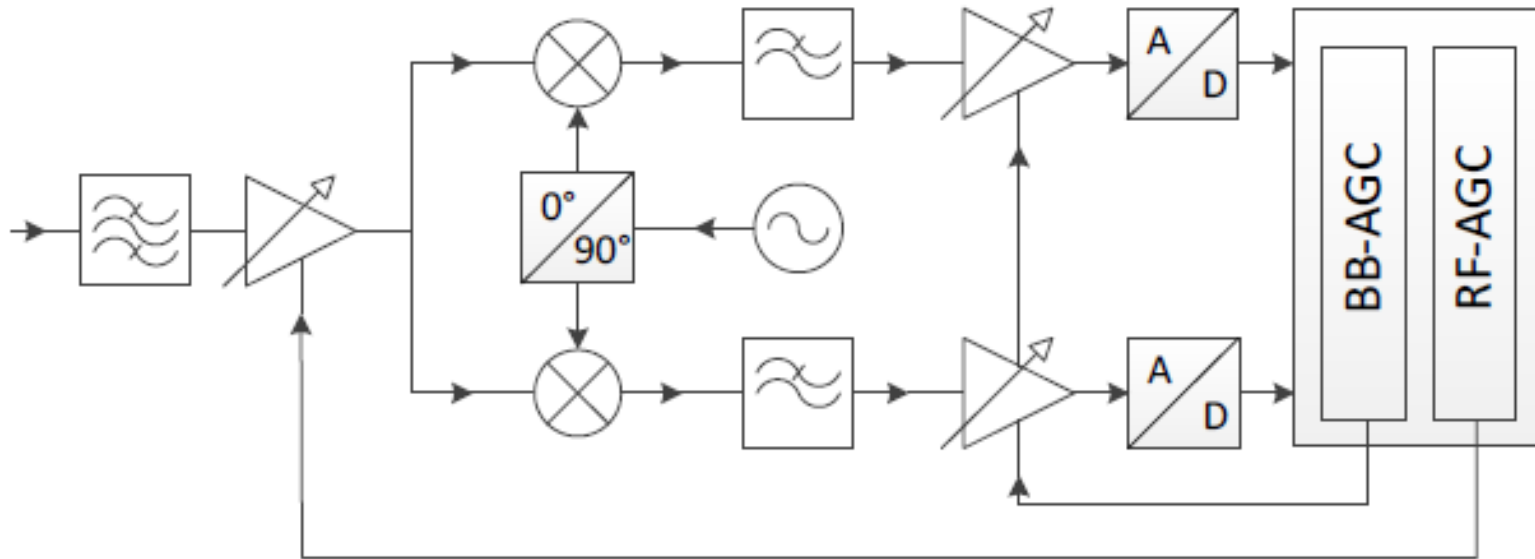
fs: input sample
rate

B = fs / R

CIC-Filter with R = 16, N = 5, M = 1 (CIC: Cascaded Integrator Comb)

Automatic Gain Control

Automatic Gain Control

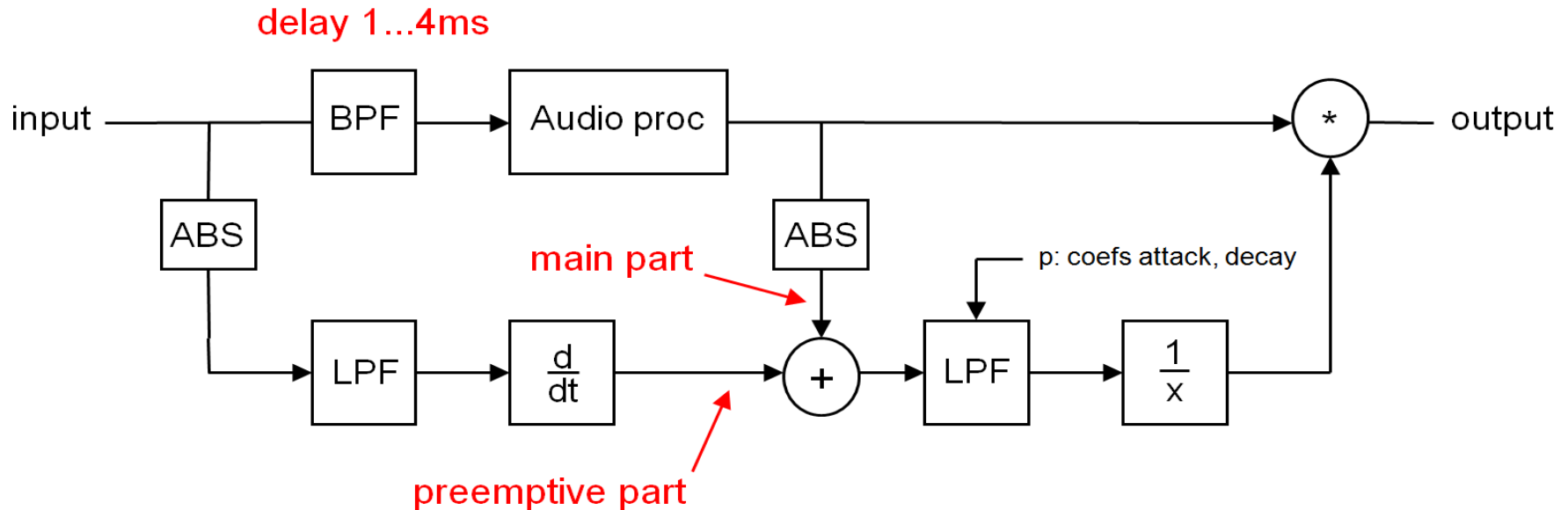


The broadband AGC serves to protect the AD converter from overvoltages. The RF-AGC can be used to set the receiver sensitivity just below the external noise.

The digital processing part is free from distortions, therefore the final AGC can be placed near the analog output.

Automatic Gain Control, Cont'd.

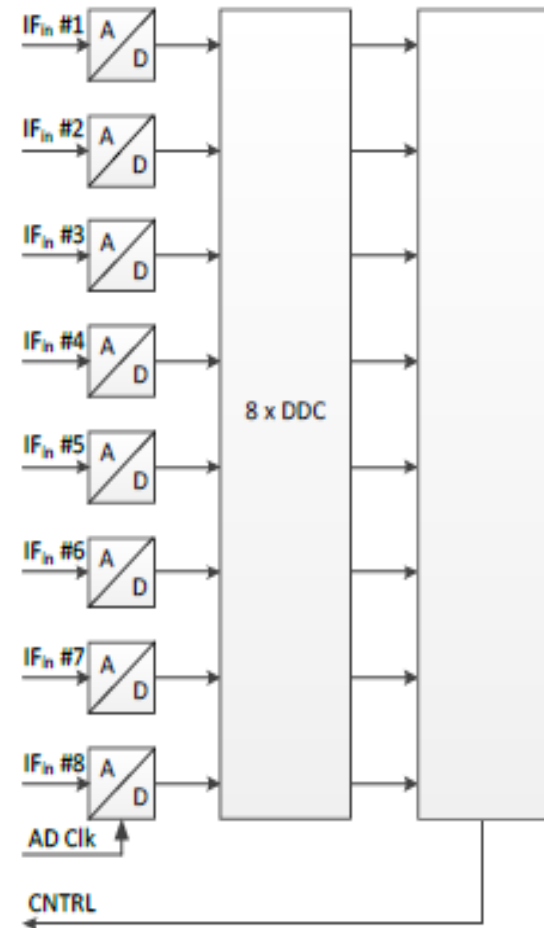
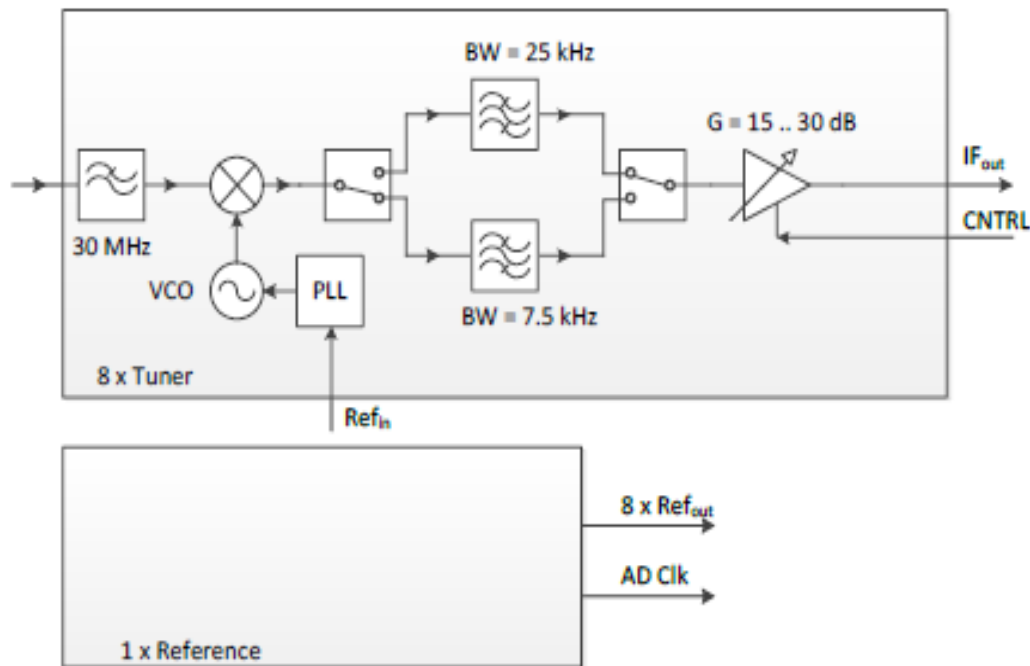
Automatic Gain Control



The main AGC control is realized near the of the signal processing chain as a feed forward control.

Typical Multi-Channel Receiver

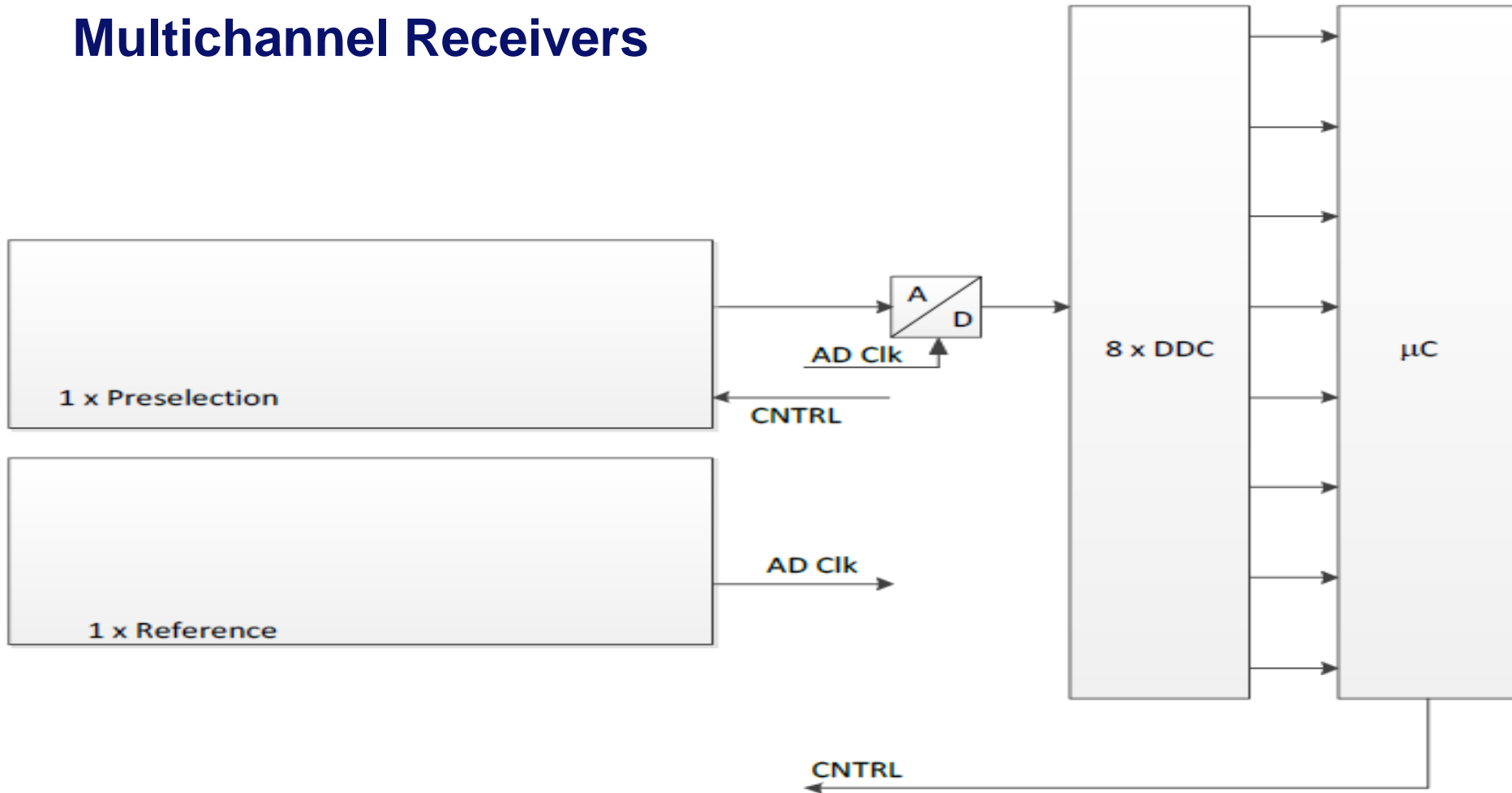
Multichannel Receivers



N - channel Receiver with N analog front ends

Receiver, Cont'd.

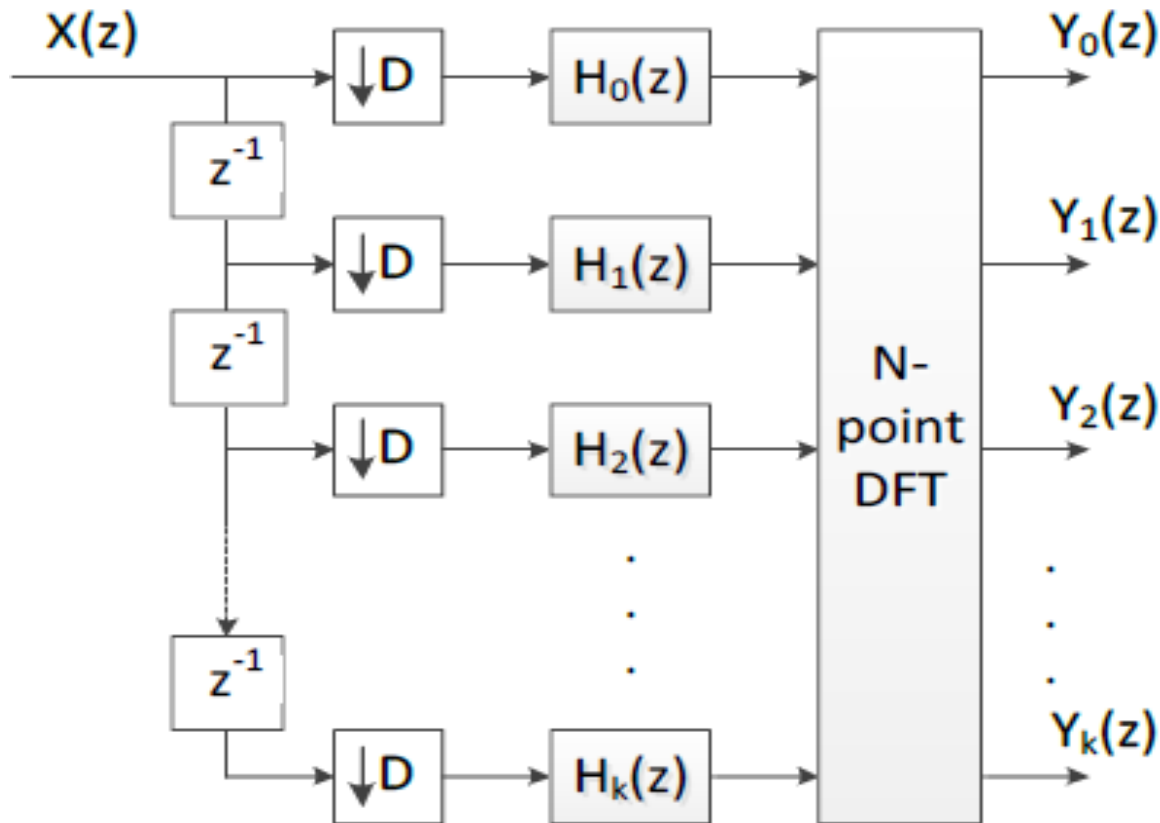
Multichannel Receivers



N - channel Receiver with only one analog front end and N digital down converters. The channel frequencies must be allocated inside the preselector passband.

Receiver, Cont'd.

Multichannel Receivers



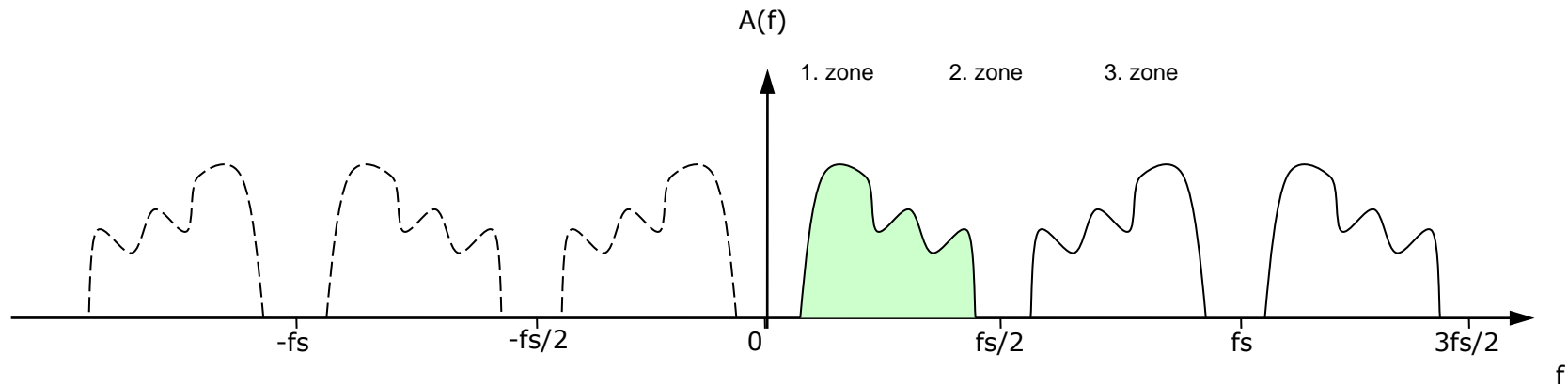
“Polyphase Filters” is often incorrectly taken to mean some special kind of filter... instead, it is merely a special structure that is handy when using filters in multi-rate settings.

Polyphase is a way of doing sampling-rate conversion that leads to very efficient implementations.

If all channels are equally spaced, then a **Polyphase Filter bank** can replace the multiple channels in the downconverter

Typical Characteristics of Sampled Systems

Important Characteristics of sampled Systems



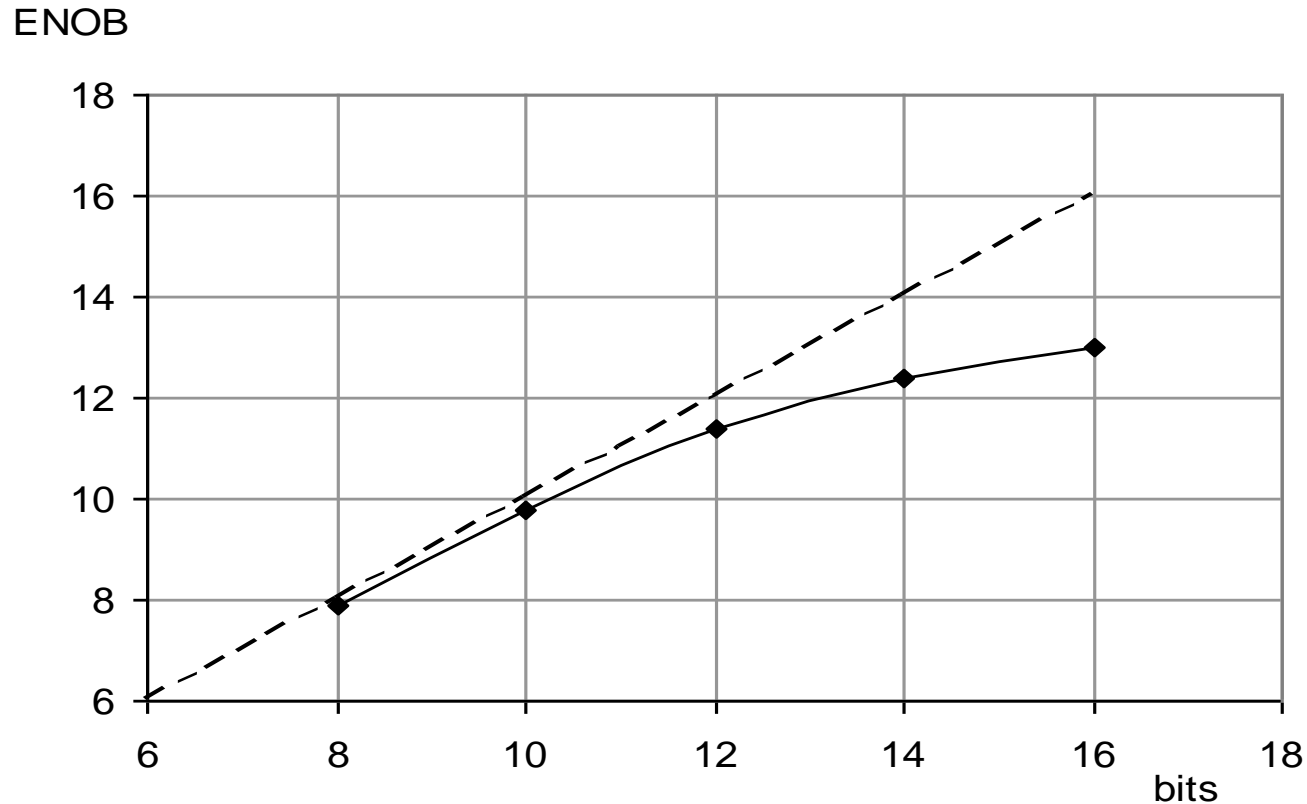
The Sampling Theorem (Nyquist / Shannon)

- A bandlimited signal can be reconstructed, when $B < fs/2$
- Due to aliasing, replicas in all Nyquist zones will occur
- The aliasing effect can be used to sample a bandlimited signal B in a higher Nyquist zone (bandpass- or undersampling)

$$B = (n - 1) \cdot fs/2 \dots n \cdot fs/2 \quad \text{whereas } n \text{ is the zone } (1,2, \dots)$$

Typical Characteristics of AD Converters

Characteristics of AD Converters



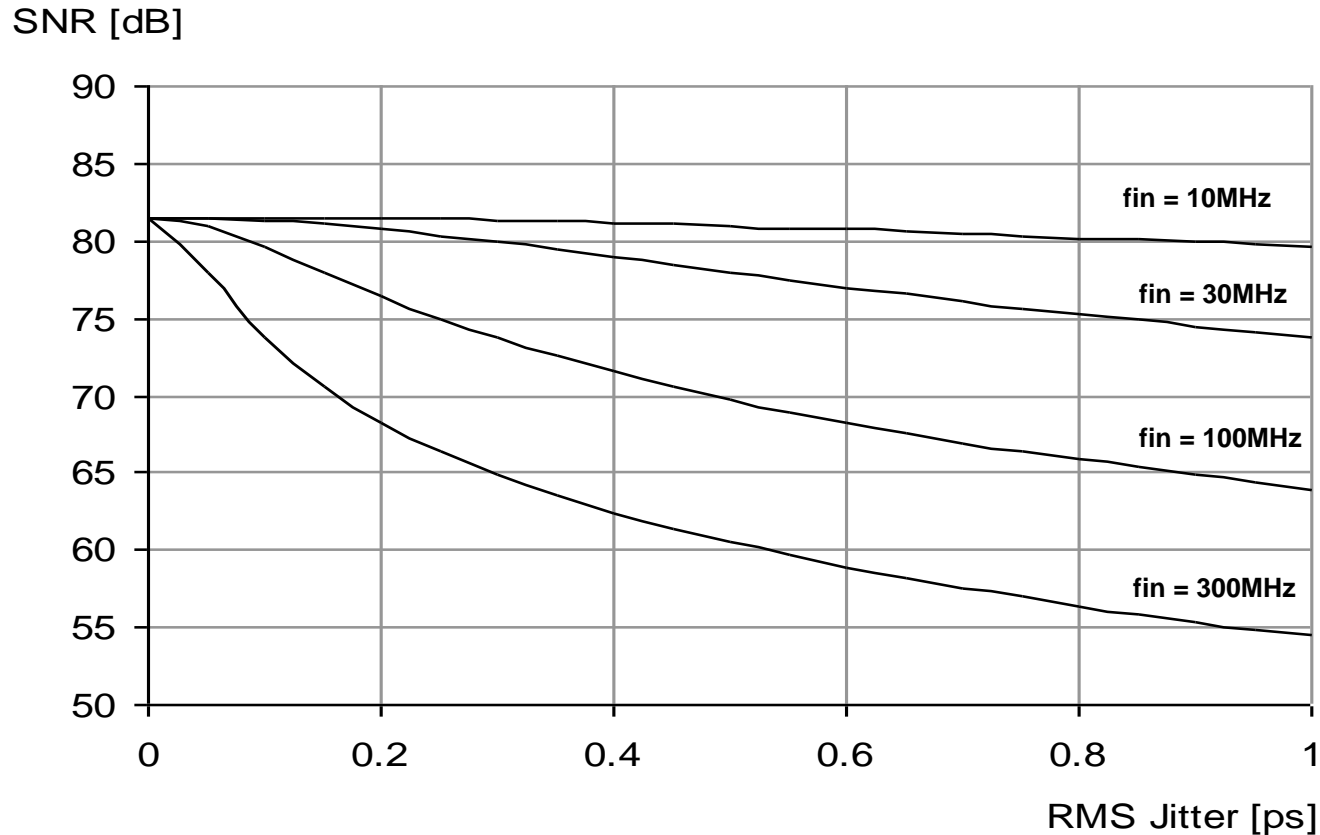
ENOB: the Effective usable Number Of Bits

$$\text{SNR}_{\text{eff}} = 1.76\text{dB} + \text{ENOB} \cdot 6.02\text{dB}$$

(measured in $B = f_s/2$)

Characteristics of AD Converters, Cont'd.

Characteristics of AD Converters



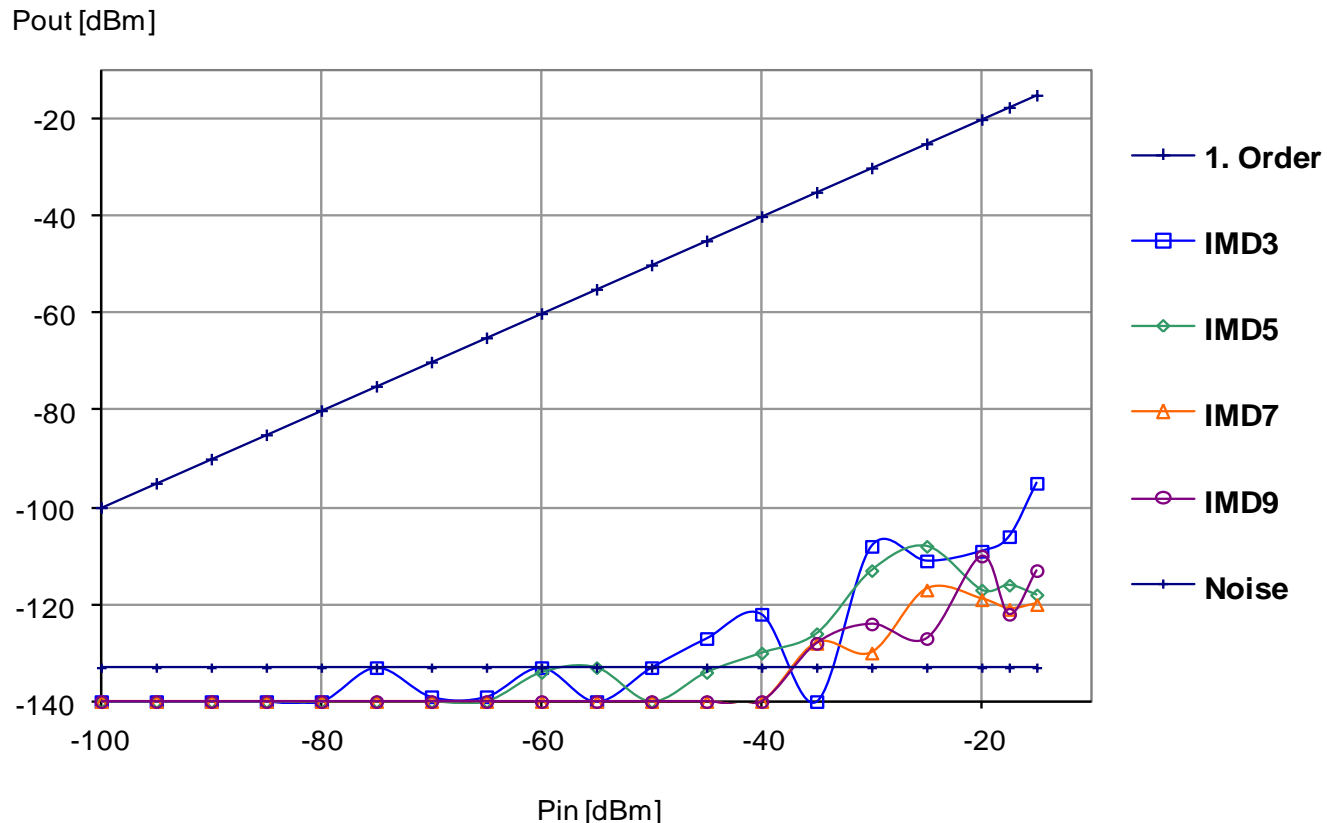
Degradation of SNR by clock jitter

➡ very important when applying undersampling!

Characteristics of AD Converters

Important Characteristics of AD converters

IMD measured on R&S EM510 without Dithering

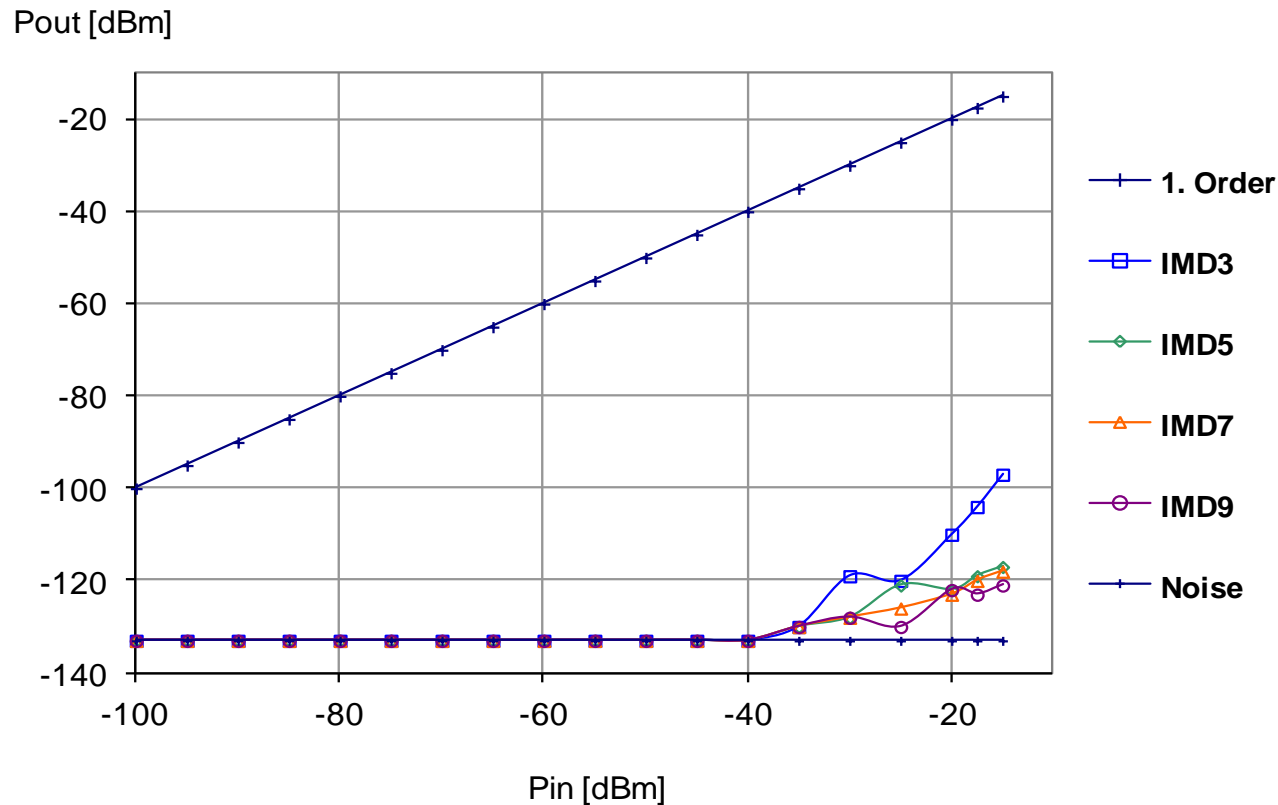


Higher order intermodulation products as a function of the input signal. The known relationship of $n \cdot \text{dB/dB}$ ($n = \text{order of IM}$) can not be applied. Therefore an Intercept point cannot be calculated. In practice, the IM is measured with two tones on -7 dBm

Characteristics of AD Converters

Important Characteristics of AD converters

IMD measured on R&S EM510, with Dithering

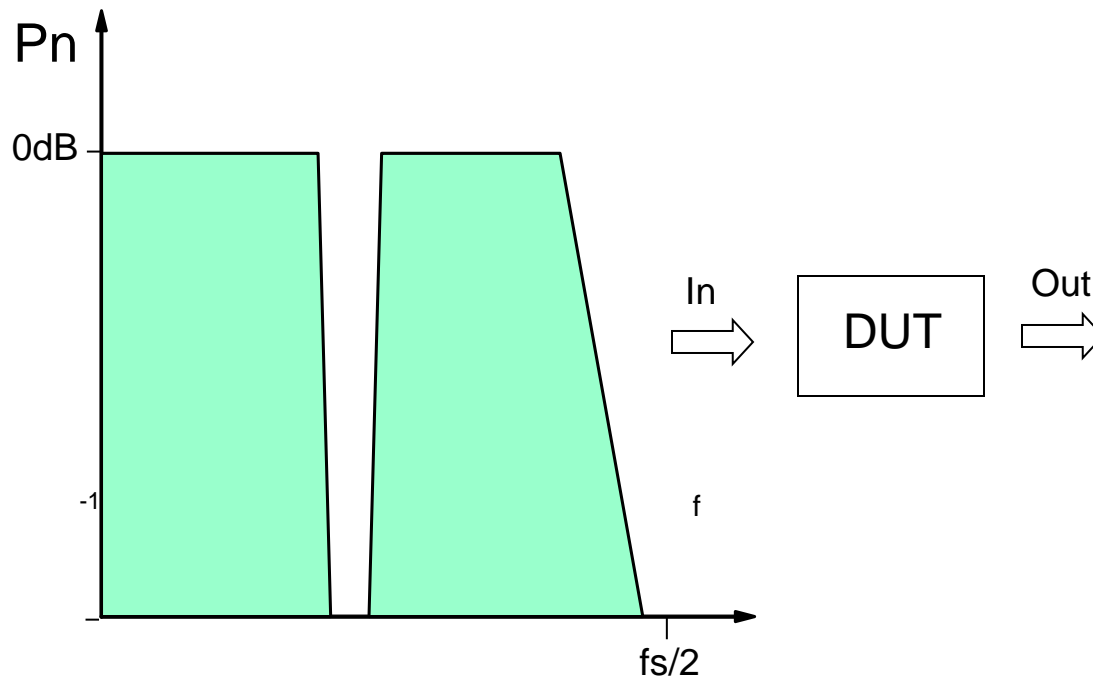


Applying dithering noise has the effect, that the discontinuities are no longer periodic and therefore the spuriies are reduced.

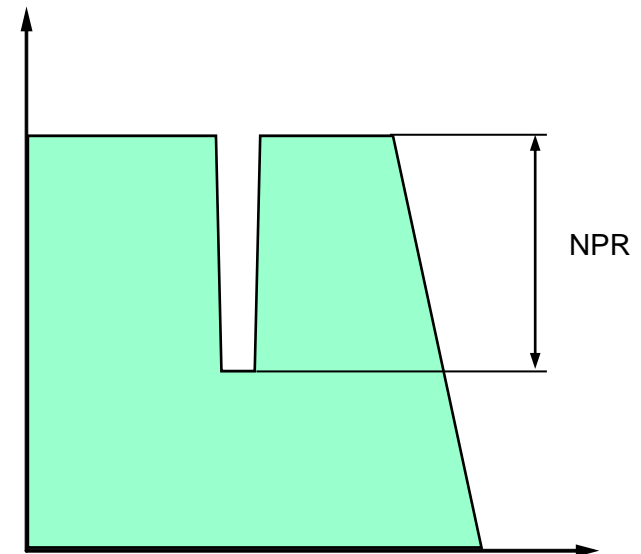
Characteristics of AD Converters

Important Characteristics of AD converters

Alternative Methode for IM measuring



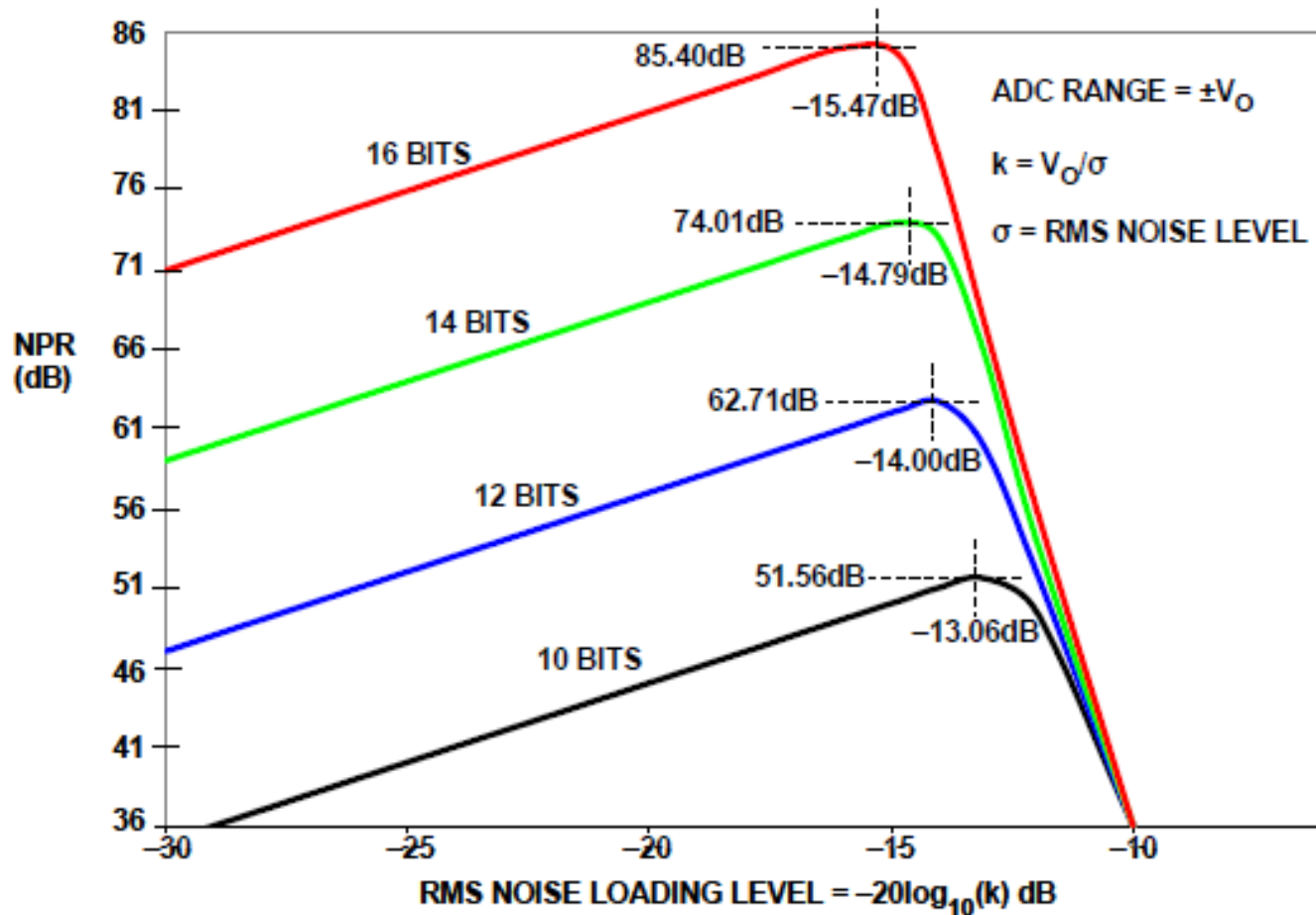
The Noise Power Ratio



The NPR method reflects the true impact of intermodulation from any order

Characteristics of AD Converters

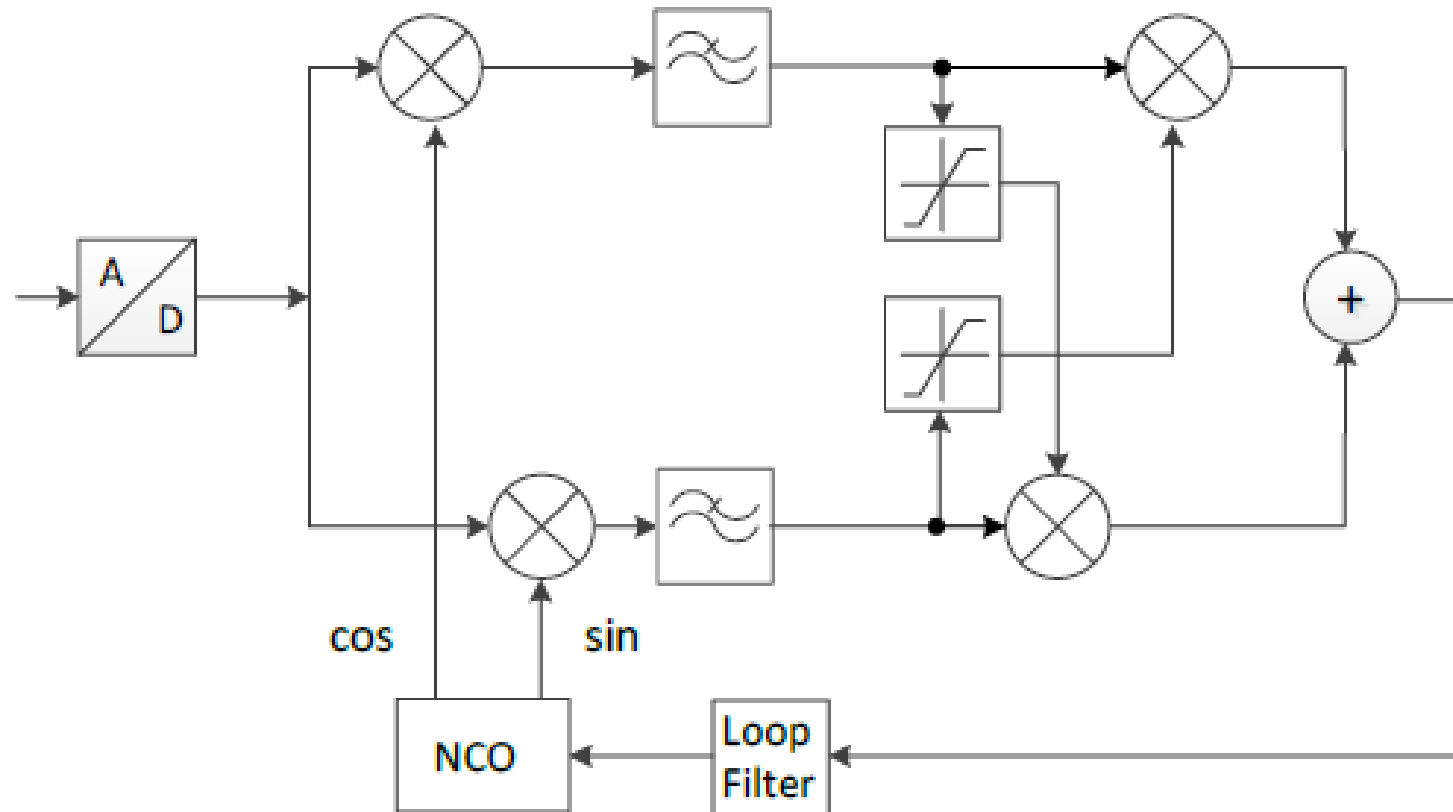
Important Characteristics of AD converters



Theoretical NPR for 10, 12, 14 and 16bit AD converter

Carrier Recovery

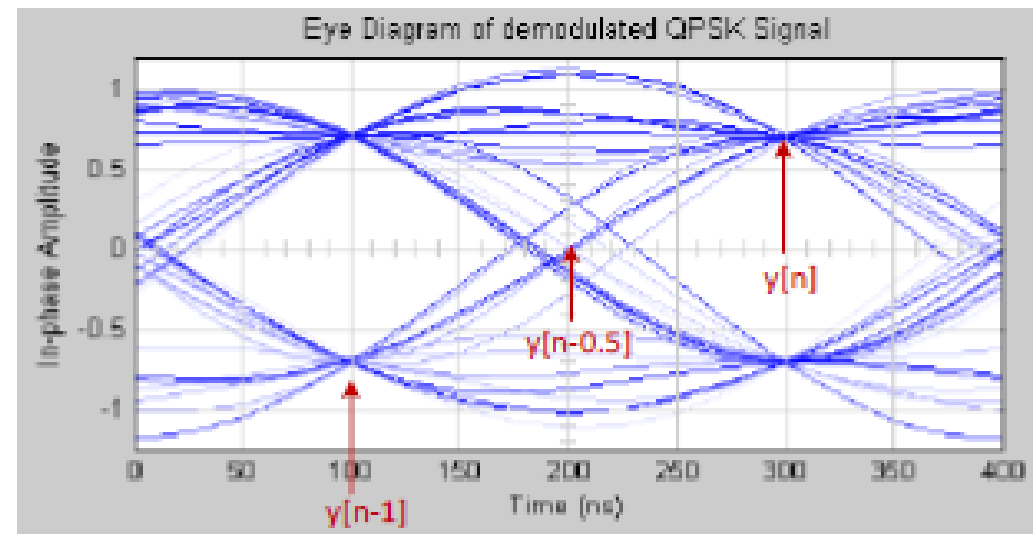
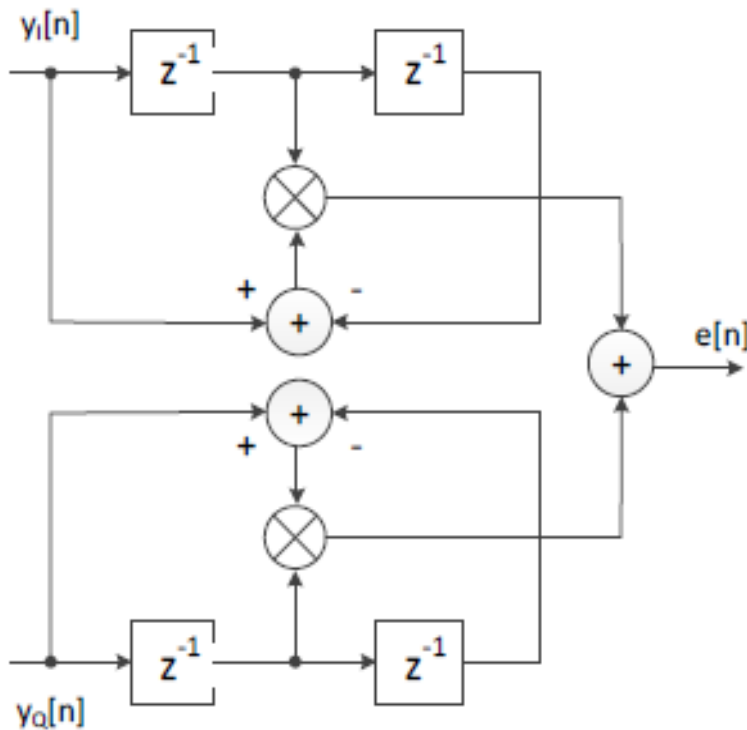
Carrier Recovery for Data Communication



Example for the carrier synchronisation for a QPSK modulated carrier.

Data Clock Extraction

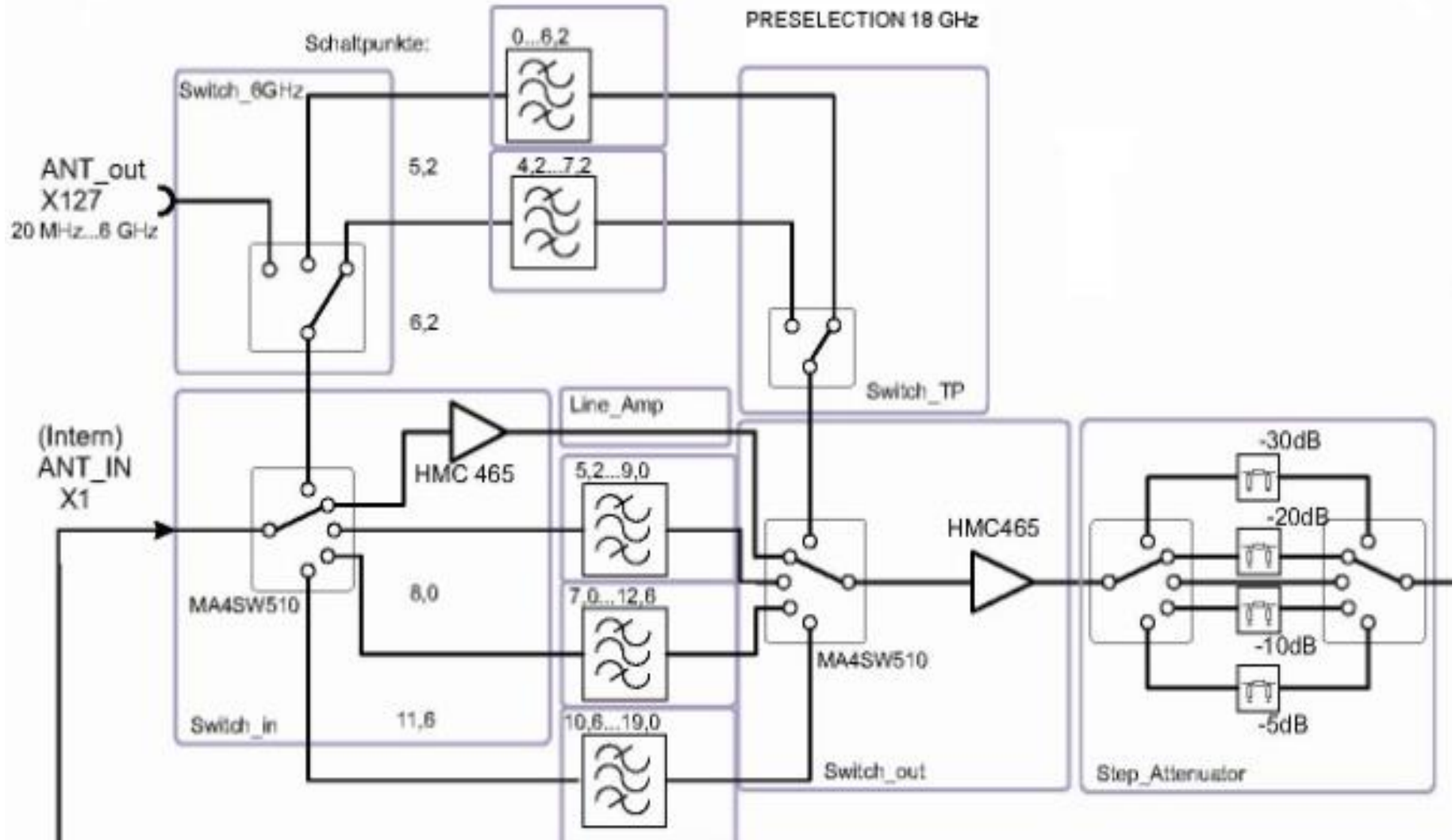
Data clock extraction for Data Communication



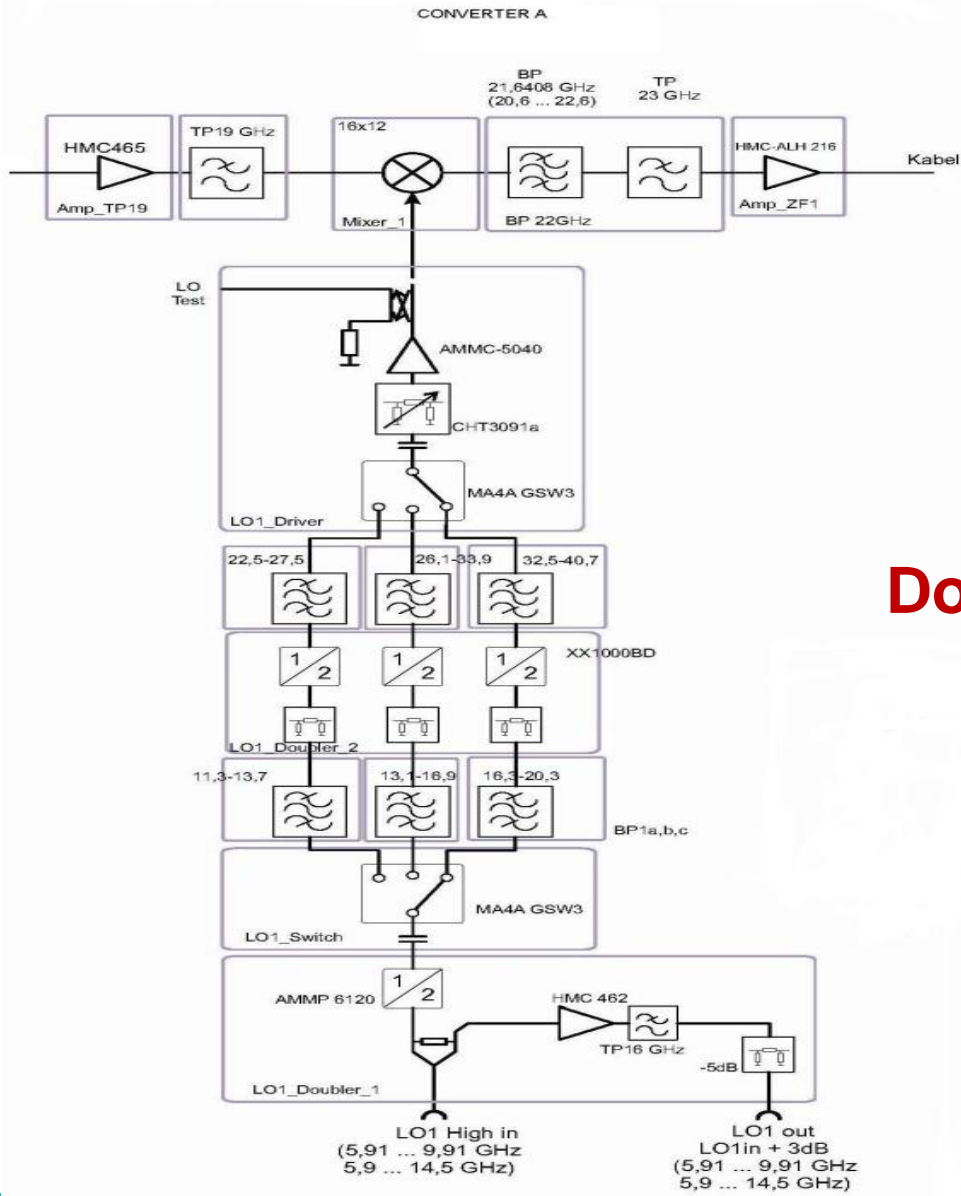
Example for a Timing Error Detector for a QPSK modulated signal according to Gardner.

Typical Architecture of Communication Receiver

Filter portion of the front-end of the receiver

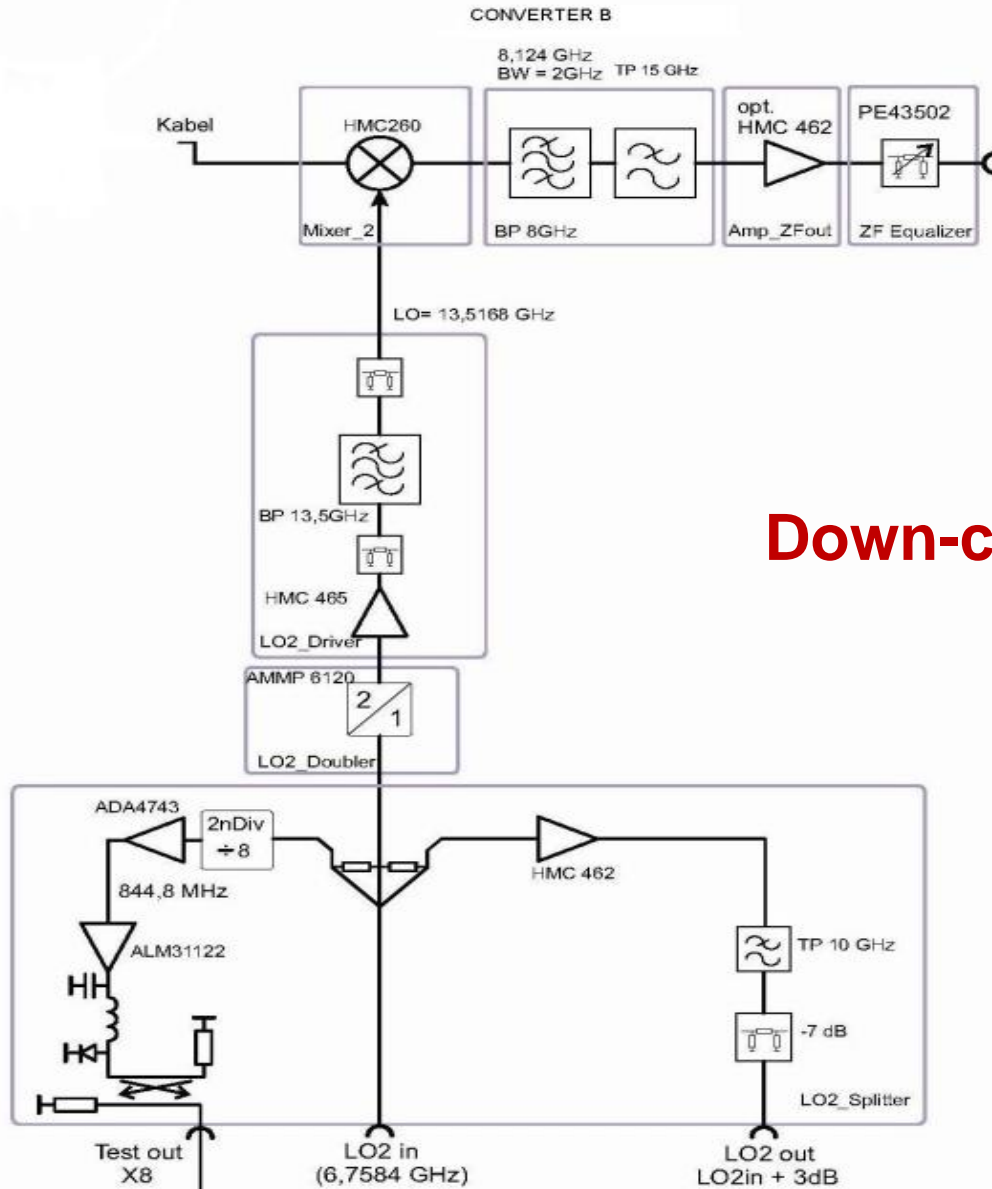


Typical Down-Conversion Architecture



Down-converter of the receiver

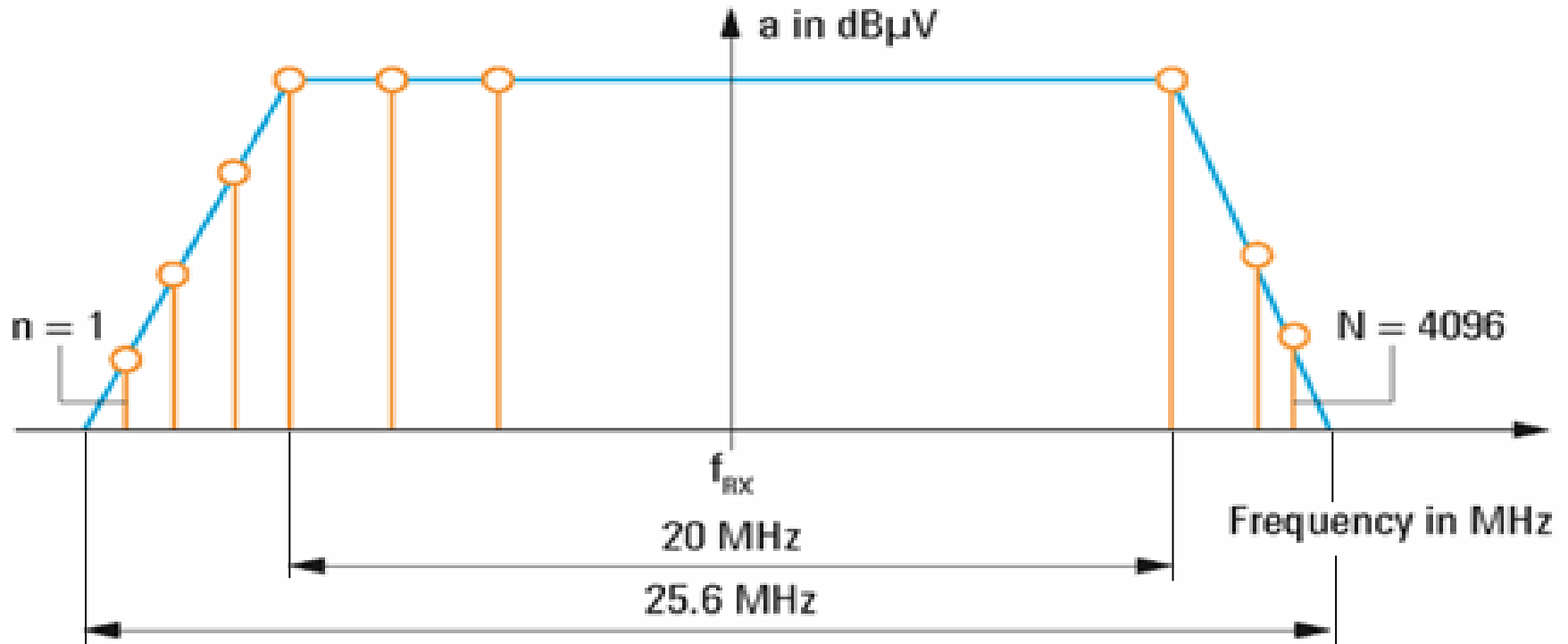
Typical Down-Conversion Architecture



Down-converter of the receiver

Spectrum Analysis in Receiver

Spectrum Analysis in Communication Receivers



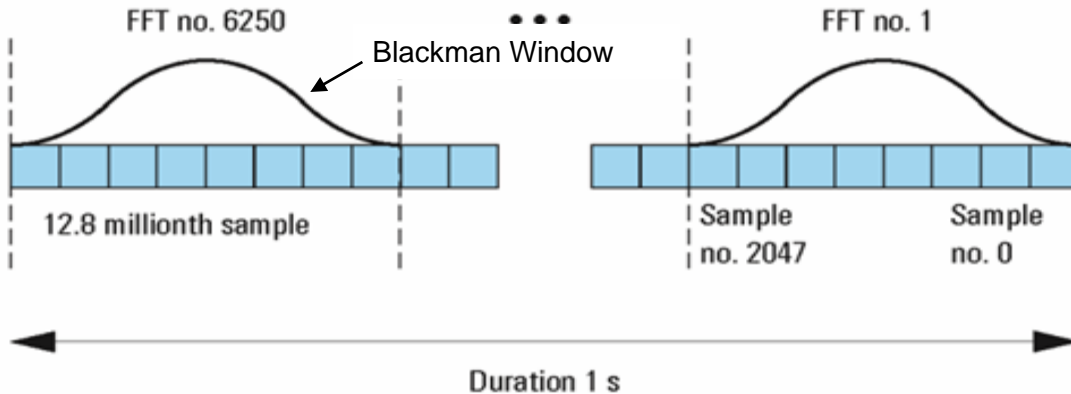
The actual usable bandwidth is reduced by a factor k compared with the sampling rate f_s :

$$B_{\text{eff}} = f_s / k$$

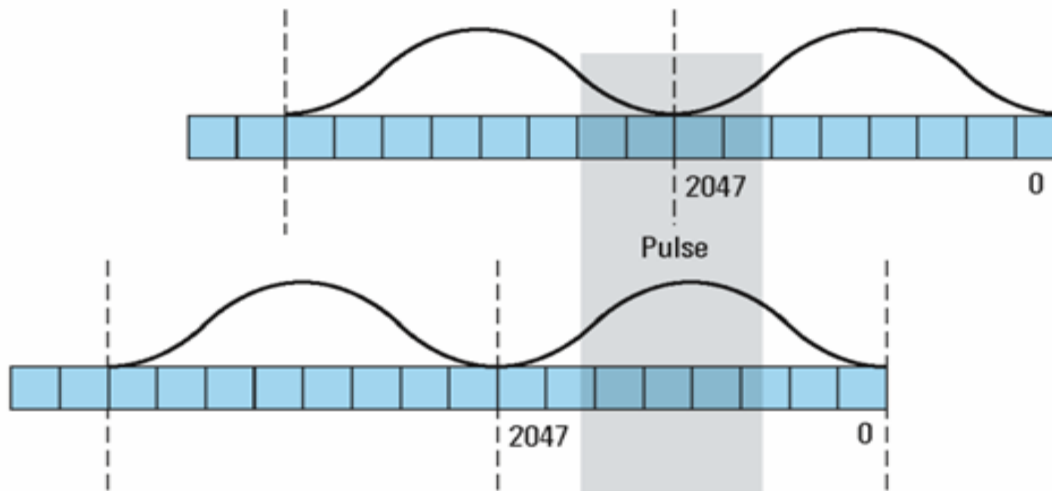
In this example $k = 1.28$

Spectrum Analysis in Receiver, Cont'd.

Spectrum Analysis in Communication Receivers



An $f_s = 12.8\text{Mps}$ allows to process 6250 FFTs per second



Due to the applied window function, the capability to detect short pulses at both ends of the window is reduced

Solution: overlapping FFTs

Spectrum Analysis in Receiver, Cont'd.

Spectrum Analysis in Communication Receivers

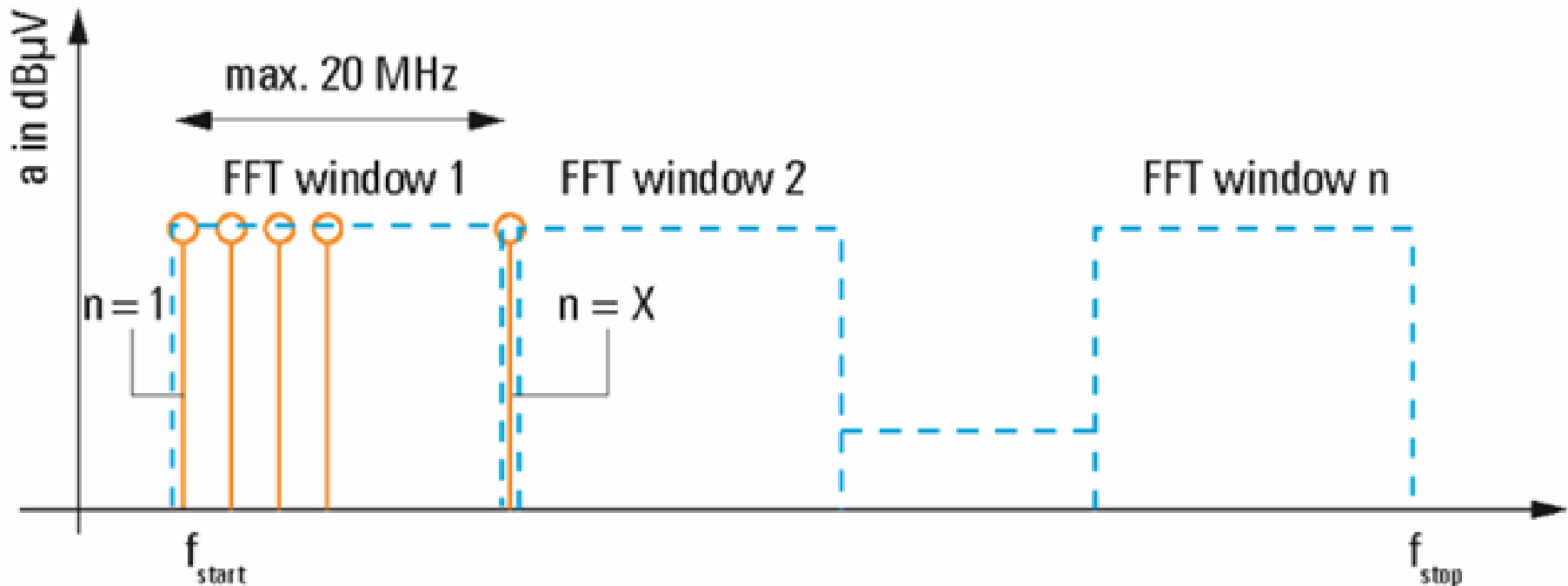
Computing Power for overlapping 2048 bins FFT and $f_s = 12.8\text{Msps}$:
 $\approx 2\text{GFLOPs}$ (Floating Point Operations)

Internal computing power of the R&S®ESMD

Frequency -resolution in kHz	80 MHz realtime -bandwidth	
	Spectra per second	Time resolution in μs
25	25 000	40
50	50 000	20
100	100 000	10
500	500 000	2
2000	2 000 000	0.5

Spectrum Analysis in Receiver, Cont'd.

Spectrum Analysis in Communication Receivers

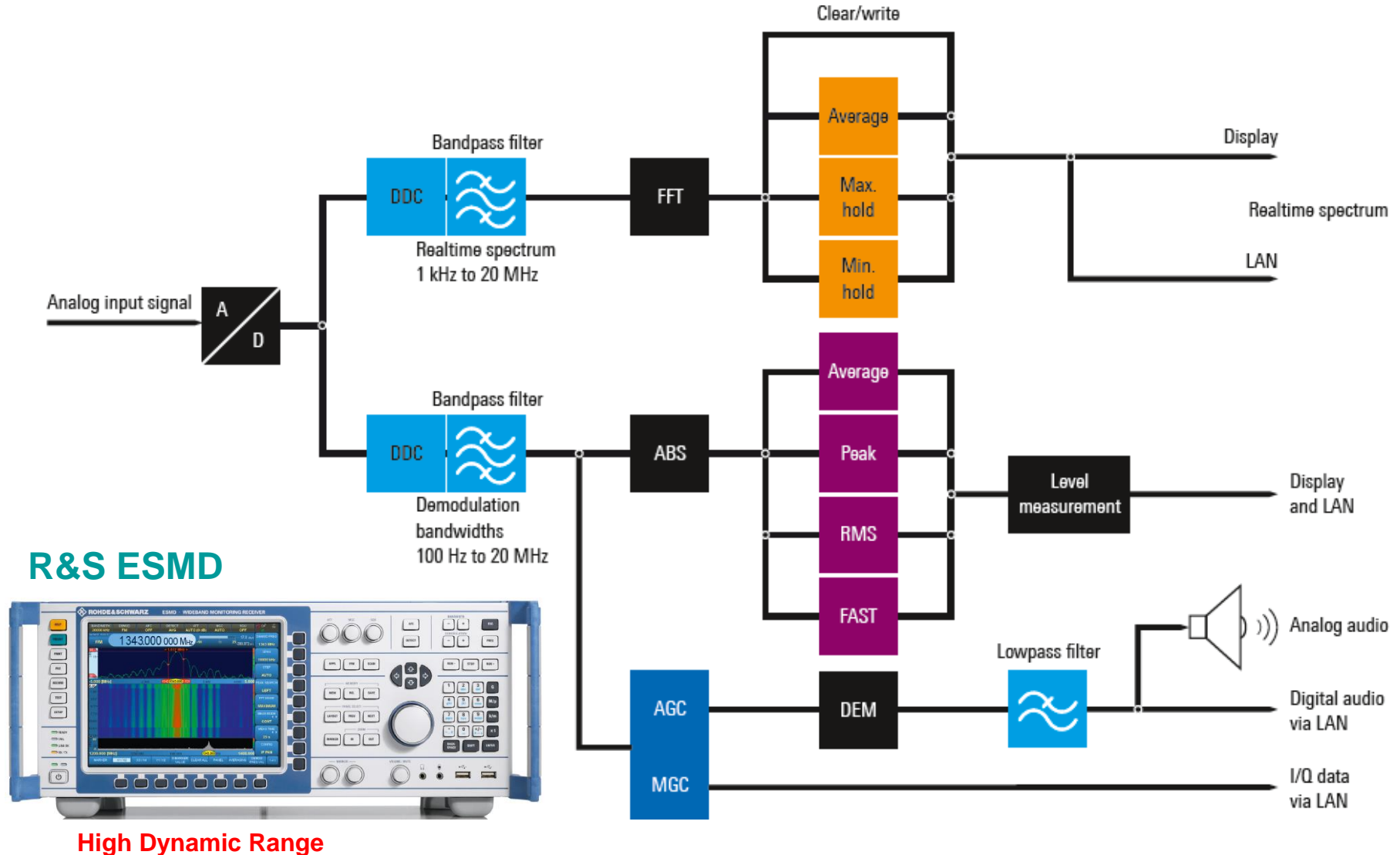


Panorama Function with N consecutive FFT slices

→ for any bandwidth, but lacks in time resolution

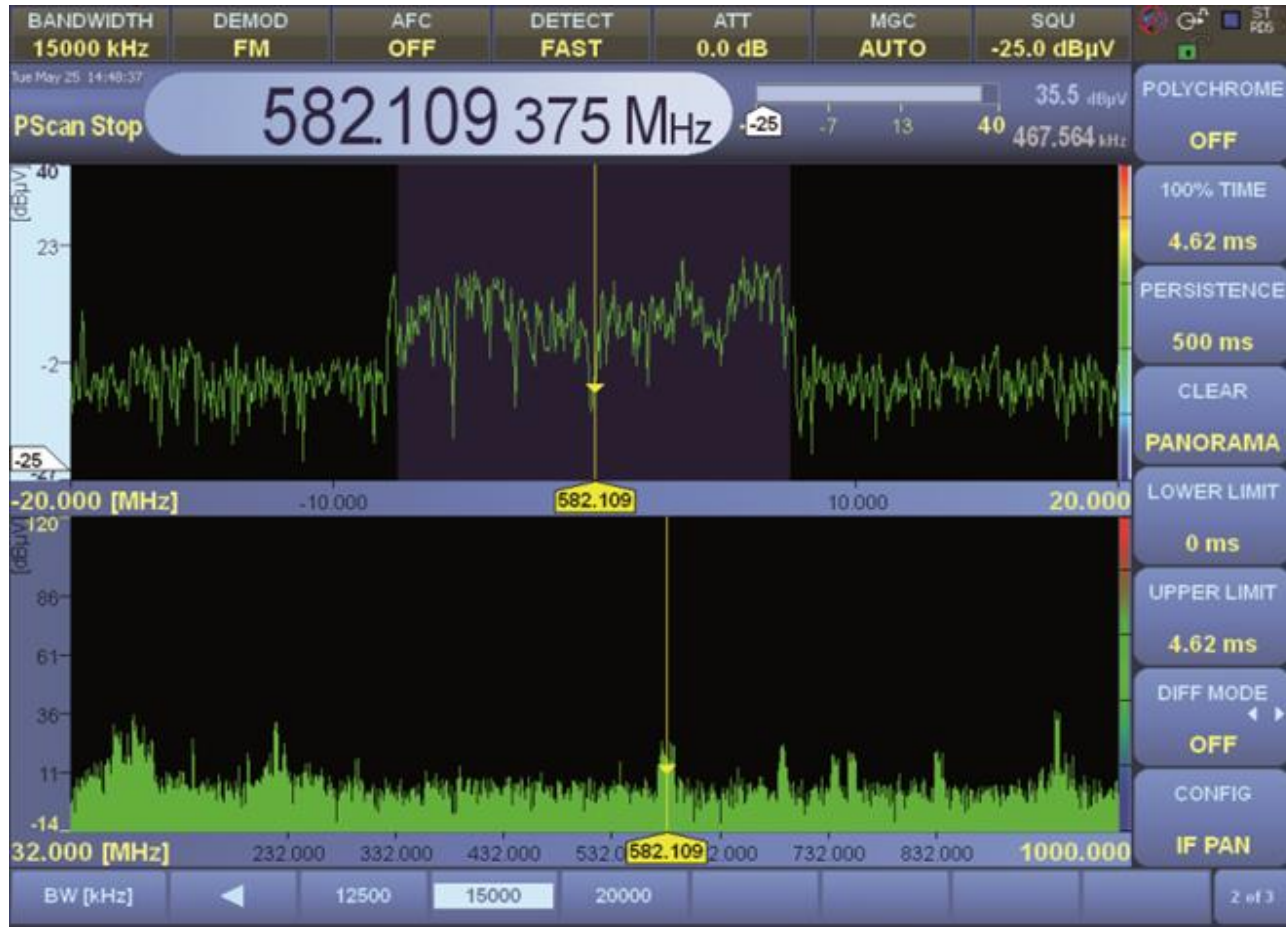
Wideband Monitoring Receiver

Figure 1: R&S ESMD Wide Band Monitoring Receiver



Spectrum Analysis in Receiver, Cont'd.

Spectrum Analysis in Communication Receivers

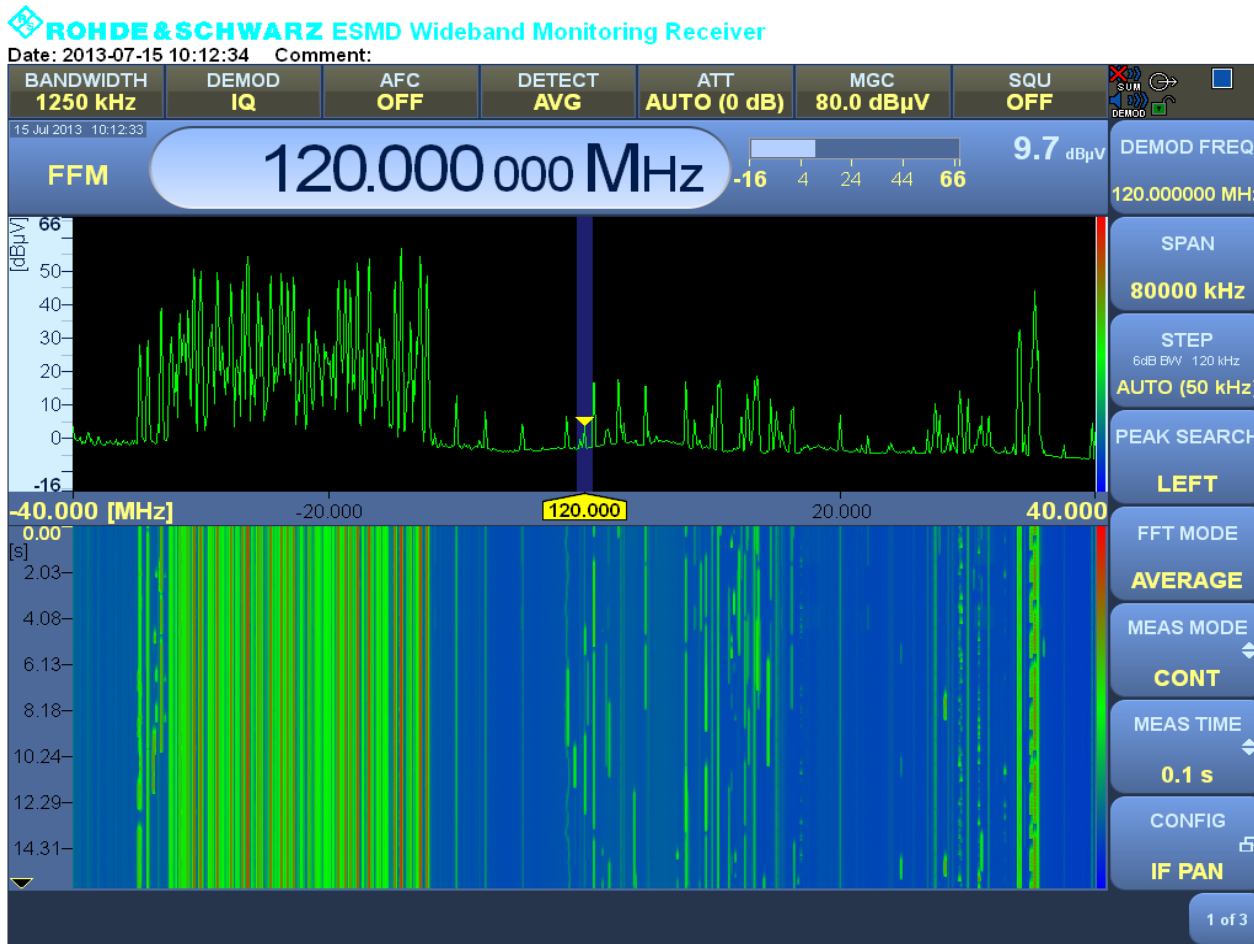


Narrowband Analysis

Wideband Analysis

Spectrum Analysis in Communication Receiver

Proof of Available Dynamic Range



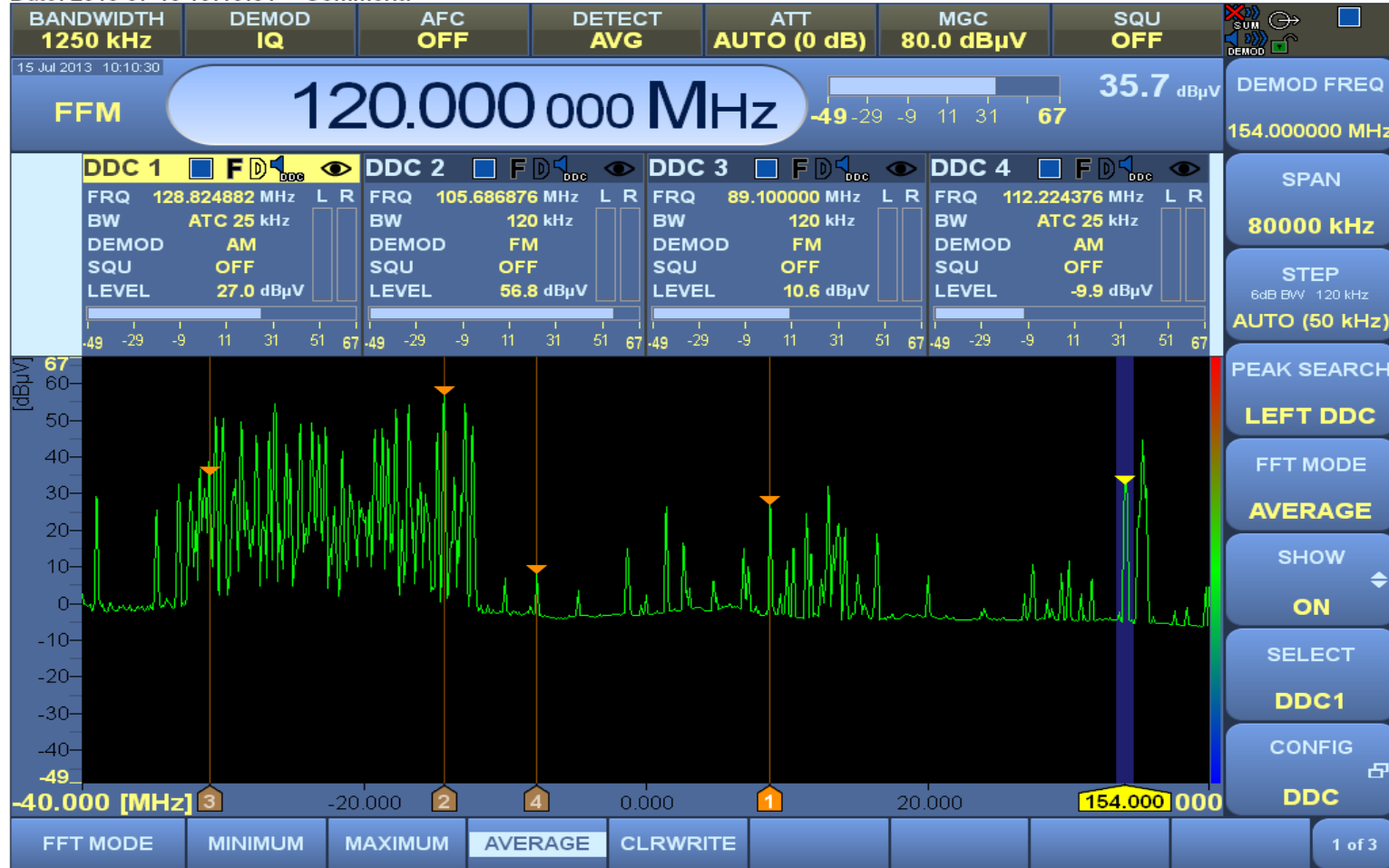
Aircraft Radio Communication Receiver can be monitored and demodulated in the presence of strong FM Radio signal

Spectrum Analysis in Communication Receiver

Multichannel (4) Operation

ROHDE & SCHWARZ ESMD Wideband Monitoring Receiver

Date: 2013-07-15 10:10:31 Comment:



All 4-Channels can be analyzed

Antenna for Communication Receiver

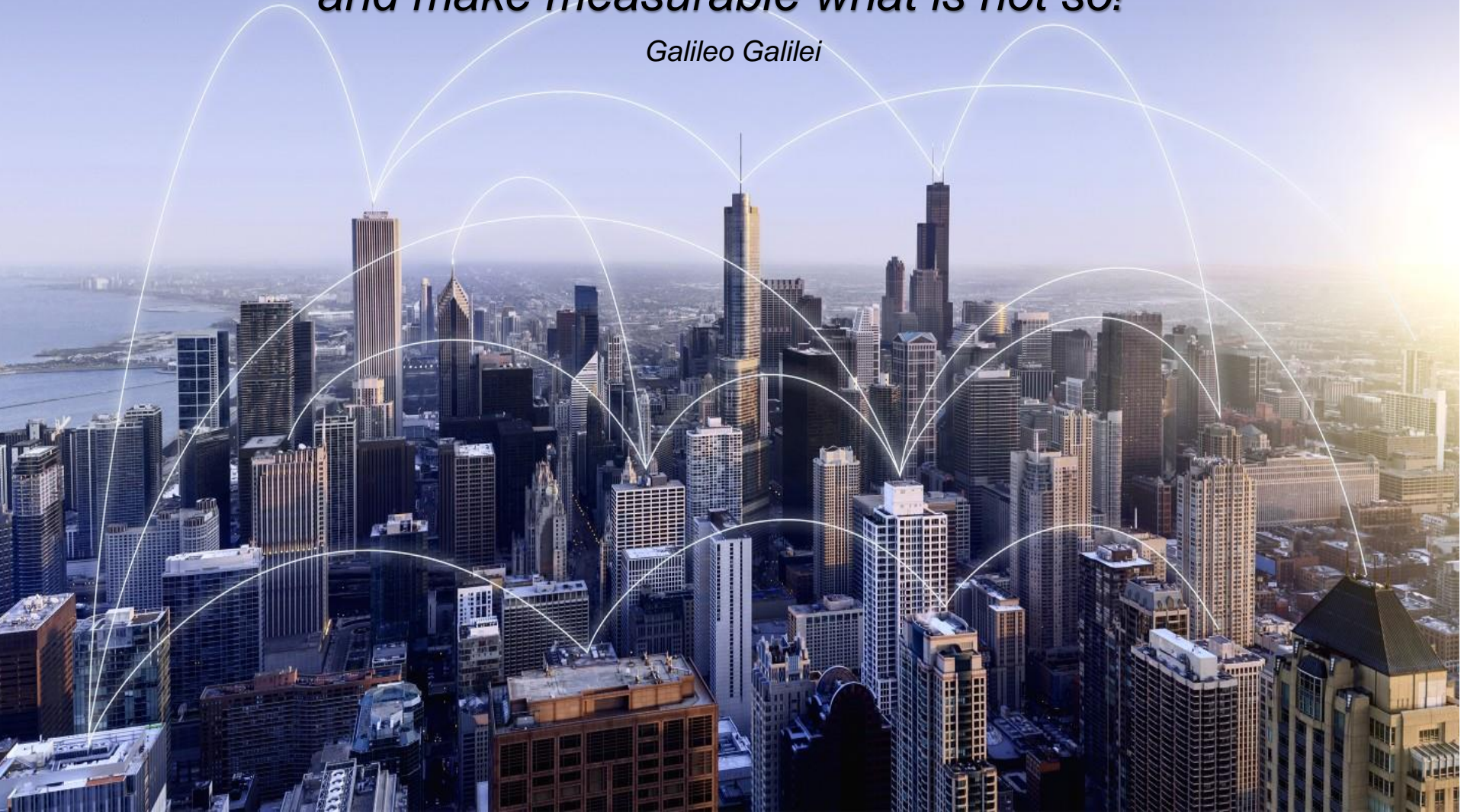
Typical Antennas for high dynamic range Communications Receivers



Input level up to 0 dBm !

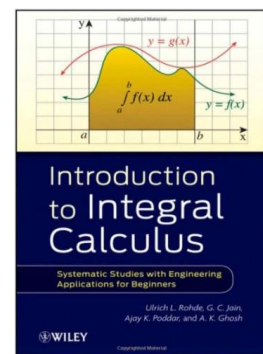
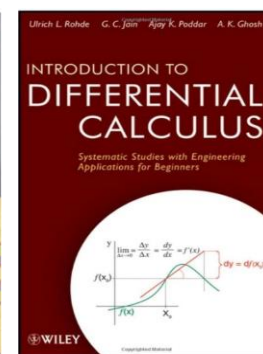
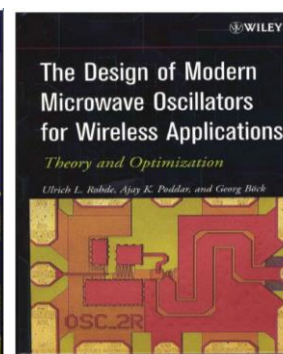
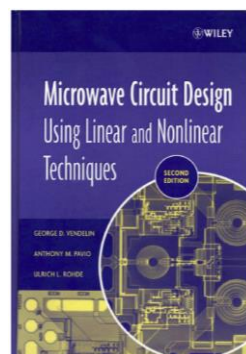
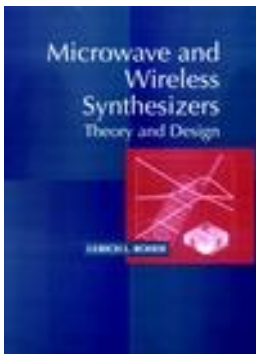
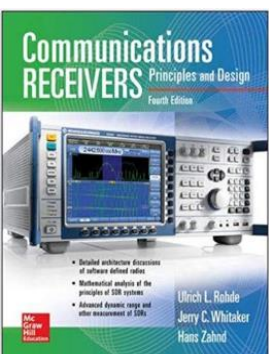
*“Measure what is measurable,
and make measurable what is not so!”*

Galileo Galilei



References

Ulrich L. Rohde “radio house”



Thank You

