

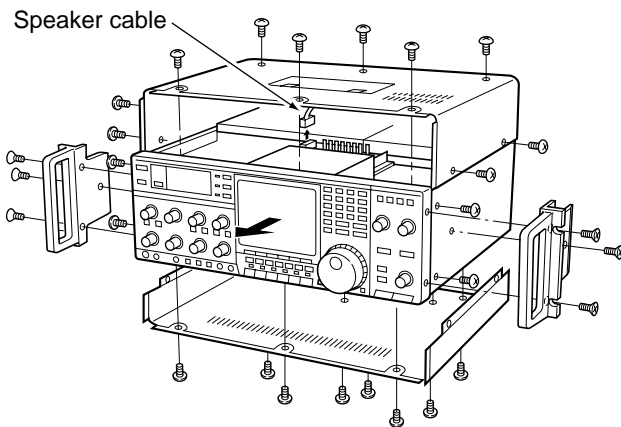
Thank you for purchasing the UX-R9000 LCD UNIT.

Please read these instructions before installing and using this product.

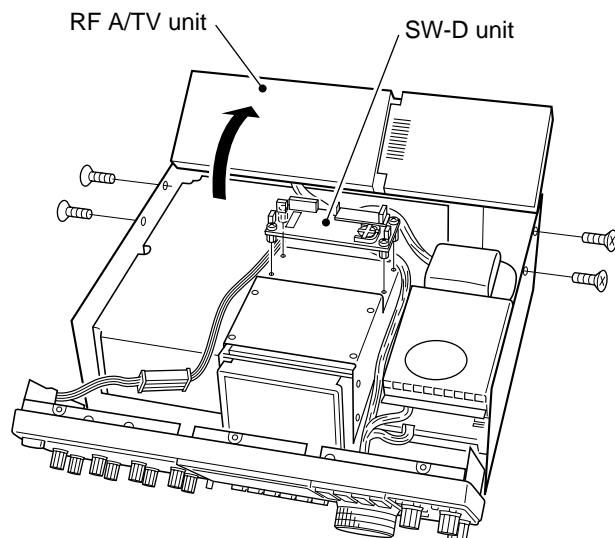
INSTALLATION

⚠ WARNING: DISCONNECT the AC power cable and wait several minutes before opening the receiver.

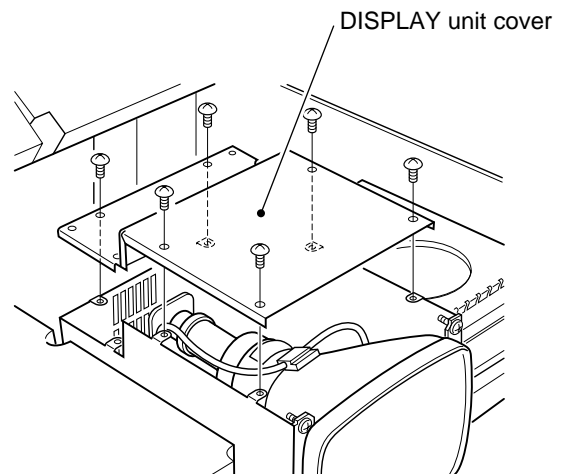
- ① Remove the rack mounting handles, top/bottom covers and front panel as shown in the diagram below.
- ② Remove the speaker cable as shown in the diagram below.



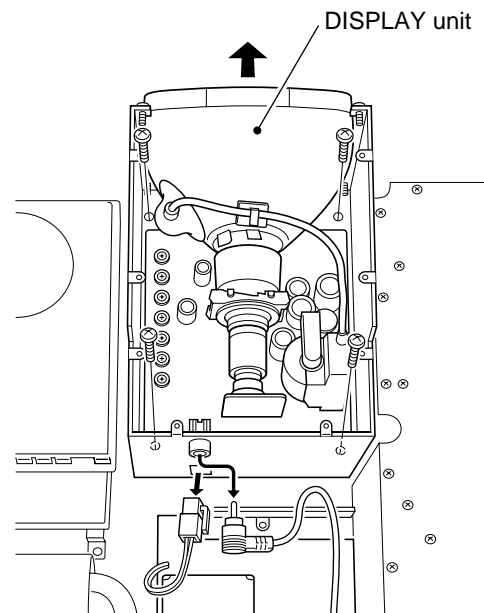
- ③ Remove the 4 screws and open the RFA/TV units as shown in the diagram below.
- ④ Remove the 4 screws and remove the SW-D unit as shown in the diagram below.



- ⑤ Remove the 6 screws from the DISPLAY unit (CRT) and remove the cover as shown in the diagram below.

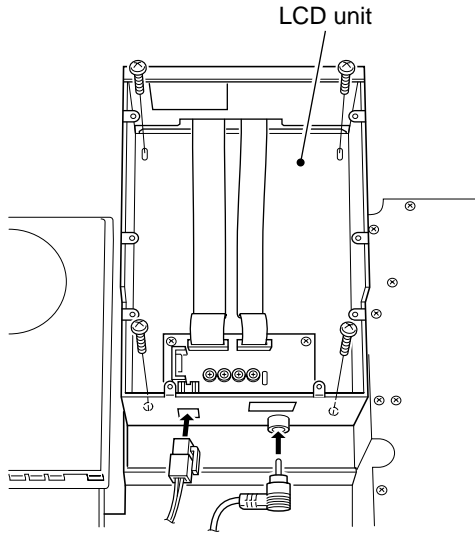


- ⑥ Remove the 4 screws and 2 connectors from the DISPLAY unit (CRT) and remove the unit as shown in the diagram below.

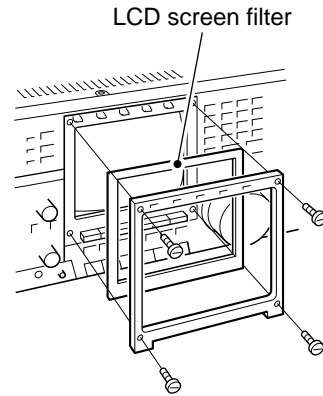


INSTALLATION (continued)

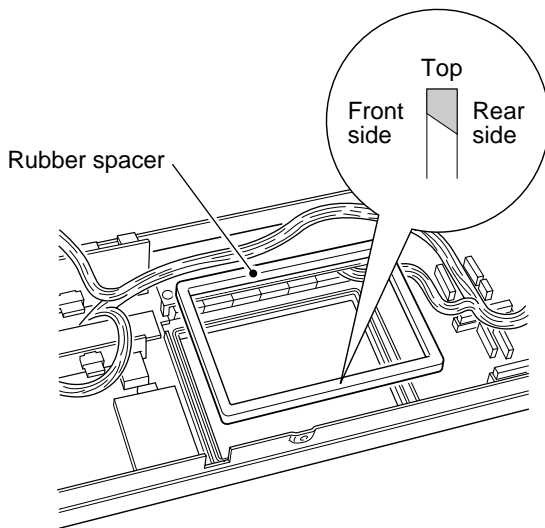
- ⑦ Connect 2 connectors to the LCD unit and place the unit using the 4 screws.



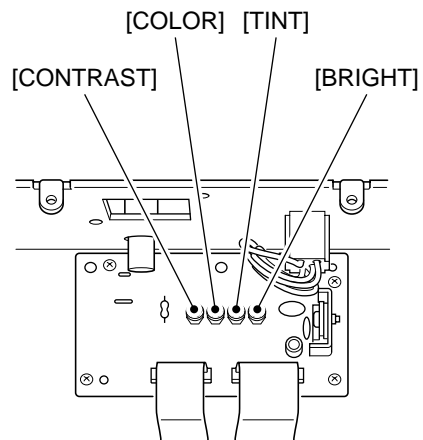
- ⑨ Remove the 4 screws from the front panel and replace the CRT screen filter with the LCD screen filter as shown in the diagram below. Assemble the front panel.



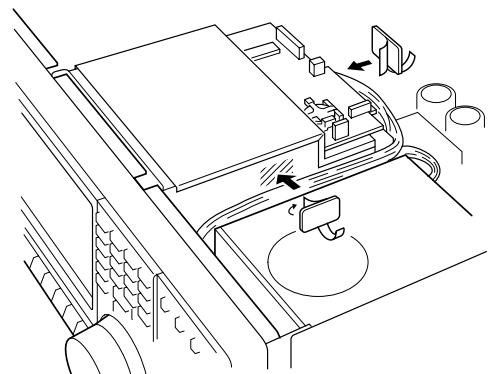
- ⑧ Replace the rubber spacer from the backside of the front panel with the supplied one. Take care of the direction.



- ⑩ Adjust the contrast, color, tint and brightness using the controls as shown below, if desired.



- ⑪ Replace the DISPLAY unit cover and attach the cable clamp as shown below. Clamp the cables.



- ⑫ Replace the RFA/TV units and SW-D unit.
⑬ Replace the top/bottom covers and the rack mounting handles.