

SMD Type Monolithic Crystal Filters

DSF753SDF 4POLE (Fundamental; 35MHz~130MHz)



Features

- SMD type with dimensions 7.0×5.0×1.3. Miniature and lightweight (0.15g).
- 4 pole characteristics in one package.
- Excellent guaranteed attenuation characteristics.
- High reliability against shock and vibration.
- Suitable for mobile phones and radio communications.

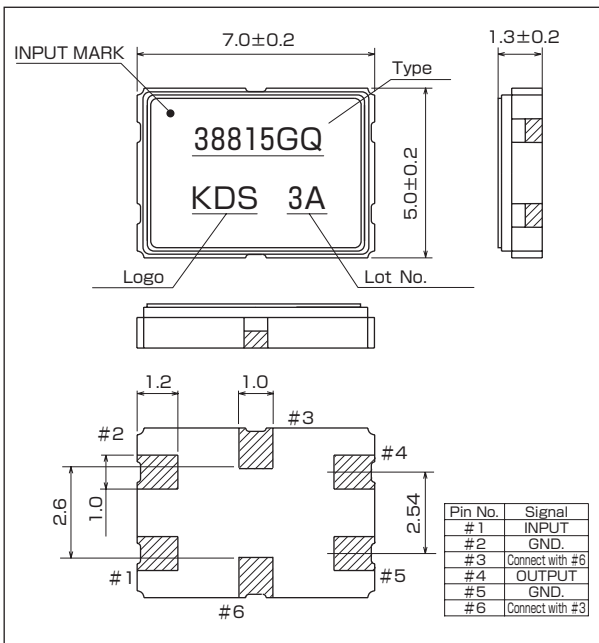


Generic Specification

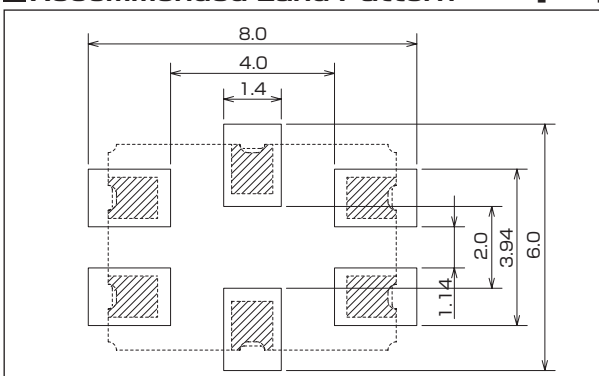
Type	D38815GQ
Nominal Frequency	38.850MHz
Pass Bandwidth	±7.5kHz min./ 3dB
Attenuation Bandwidth	±25kHz max./ 35dB
Ripple	1.0 dB max.
Insertion Loss	4.0 dB max.
Guaranteed Attenuation	70 dB min.
Terminal Impedance	920Ω//2.5 pF Cc= 7.5 pF
Operating Temperature Range	-20~ +70°C

Packing Unit : 1000pcs./reel (φ 180) Consult our sales representative for other specifications.

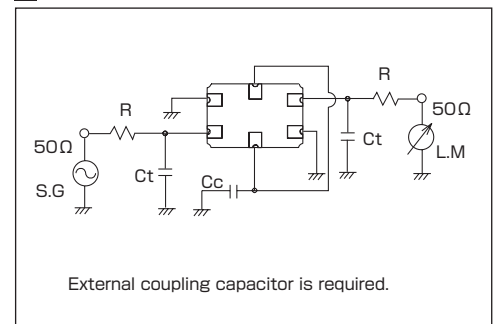
Dimensions [mm]



Recommended Land Pattern [mm]



Measurement Circuit



Characteristics Chart (D38815GQ)

