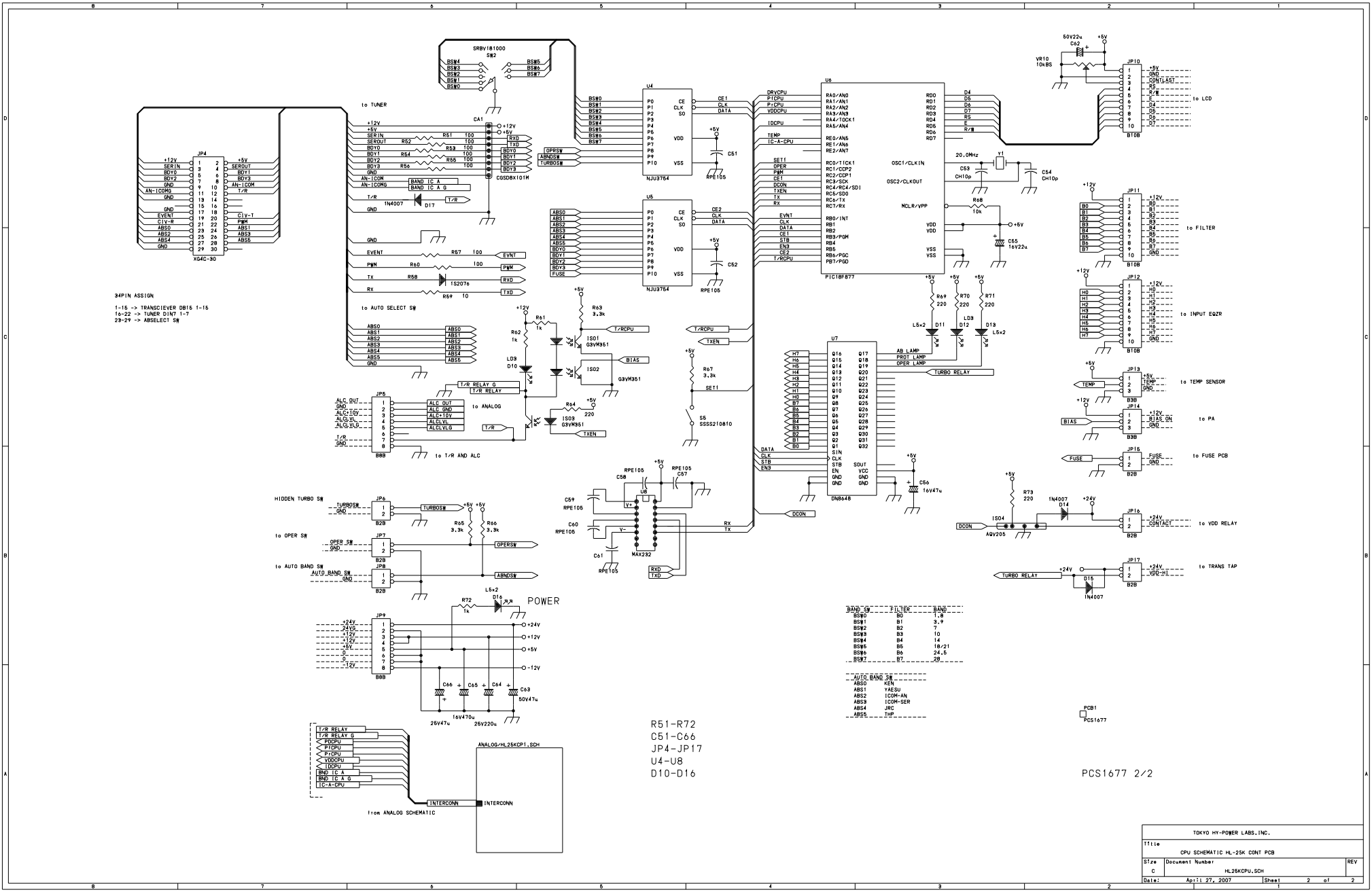


TOKYO HY-POWER LABS, INC.			
Title	GENERAL SCHEMATIC OF HL-2.6K		
Stz	Document Number:	HL26KQNT_SCH	REV
C			
Date:	Apr 11 27, 2007	Sheet	of



34PIN ASSIGN
 1-16 -> TRANSCEIVER DB16 1-16
 16-22 -> TUNER D10T 1-7
 23-29 -> ABSELECT SW

HIDDEN TURBO SW

to OPER SW

to AUTO BAND SW

POWER

to T/R RELAY

to ANALOG

to T/R AND ALC

to TURBO SW

to OPER SW

to AUTO BAND SW

to T/R RELAY

to ANALOG

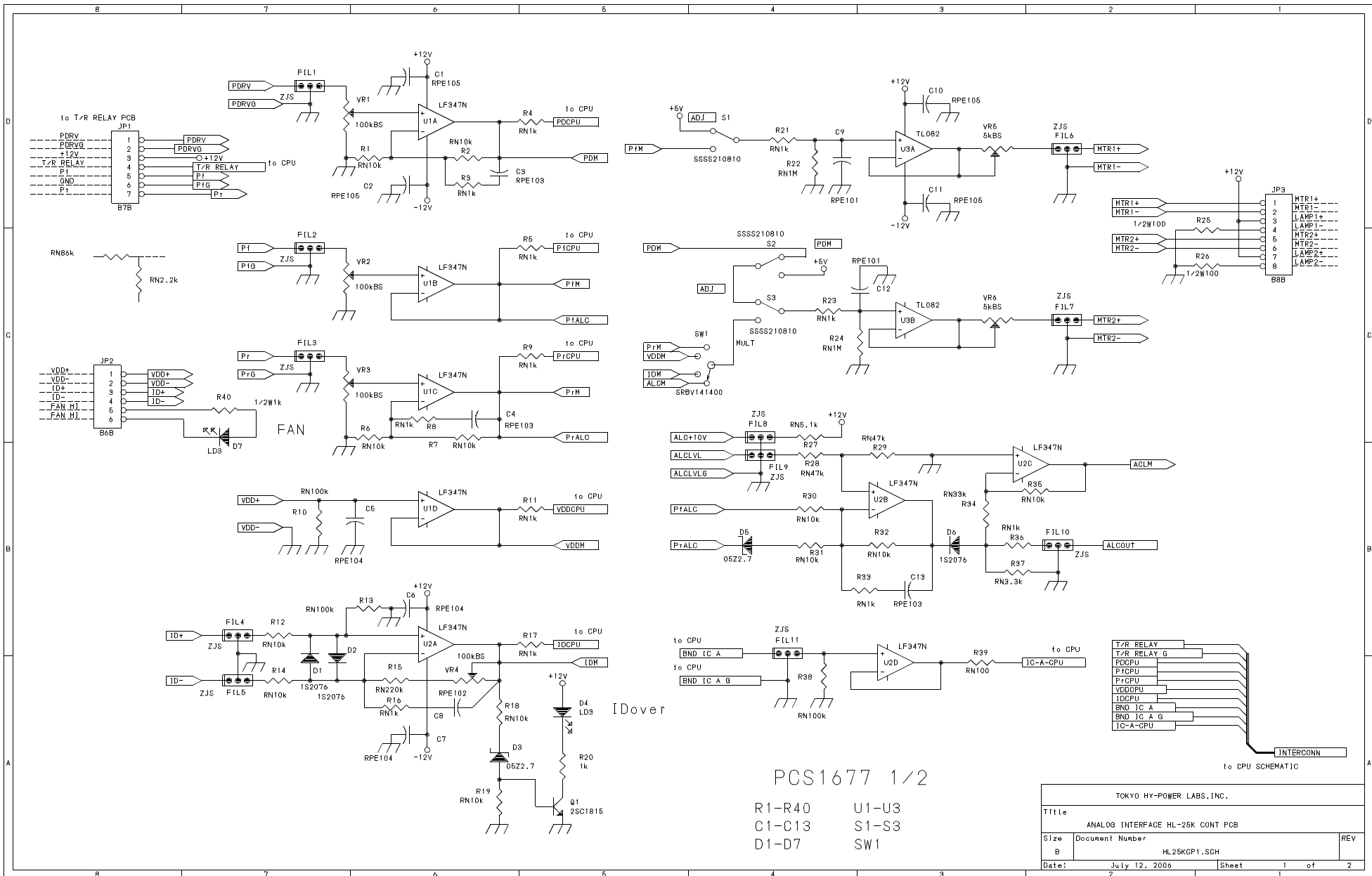
to T/R AND ALC

R51-R72
 C51-C66
 JP4-JP17
 U4-U8
 D10-D16

BAND SW	FILTER	BAND
BSW0	B0	1.8
BSW1	B1	3.9
BSW2	B2	7
BSW3	B3	10
BSW4	B4	14
BSW5	B5	18/21
BSW6	B6	24.6
BSW7	B7	30

AUTO BAND SW	RELAY
ABS0	KEN
ABS1	YESU
ABS2	ICOM-AN
ABS3	ICOM-SER
ABS4	JRC
ABS5	JUP

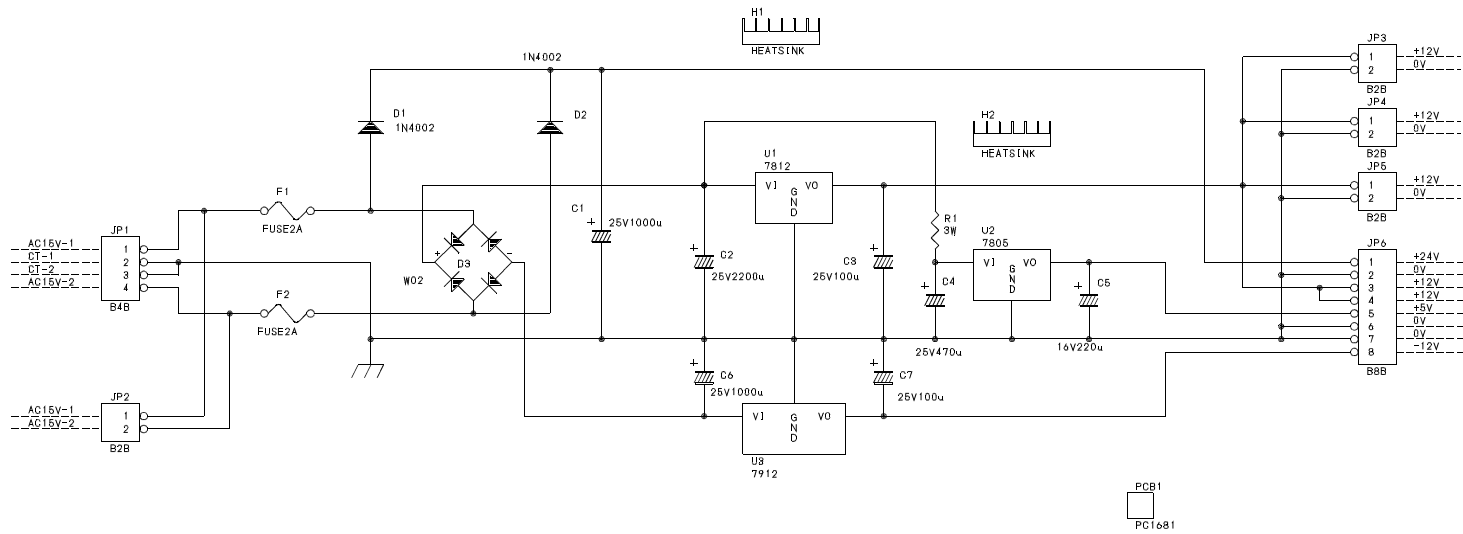
PCS1677 2/2



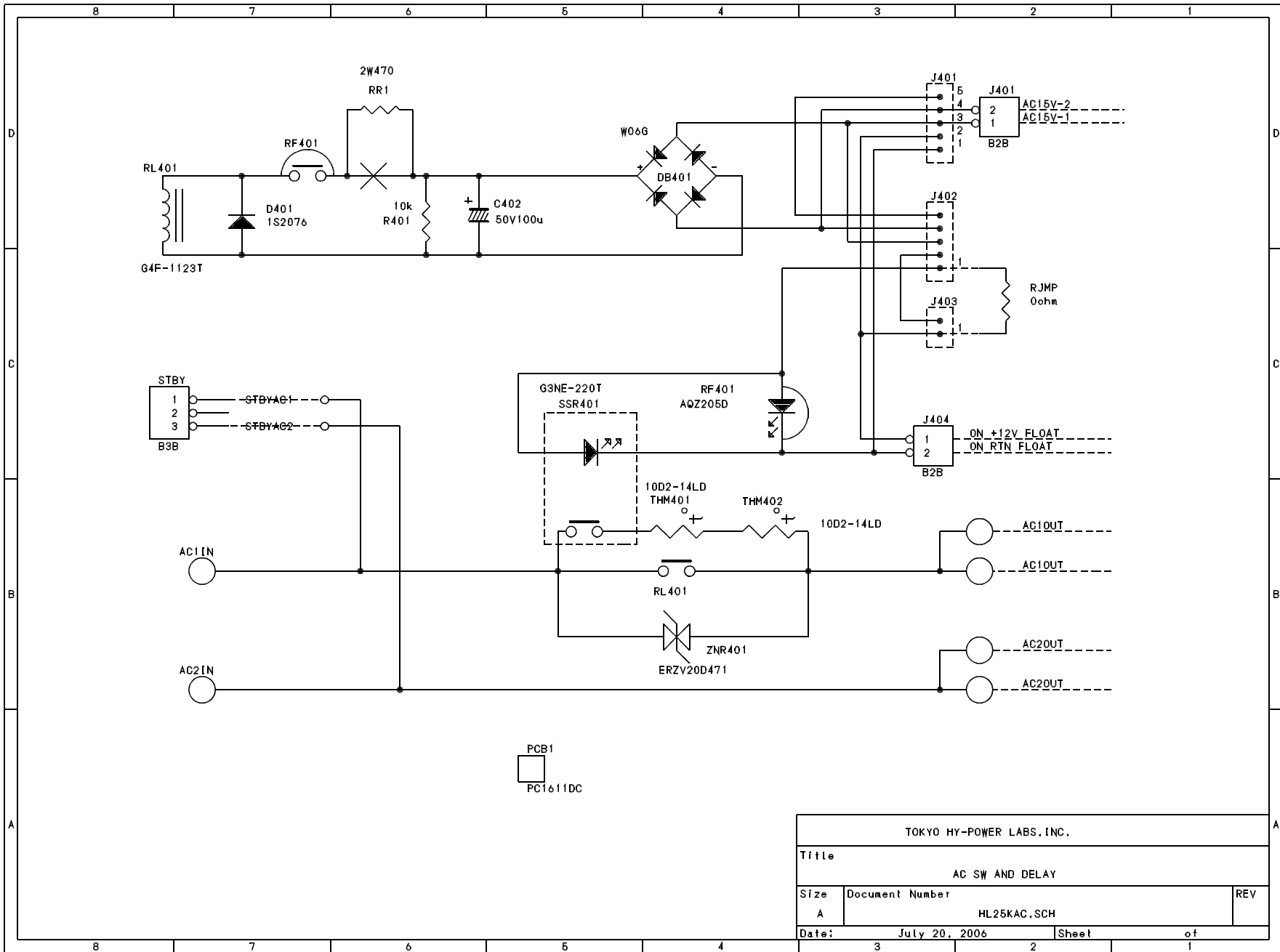
PCS1677 1/2

- R1-R40
- C1-C13
- D1-D7
- U1-U3
- S1-S3
- SW1

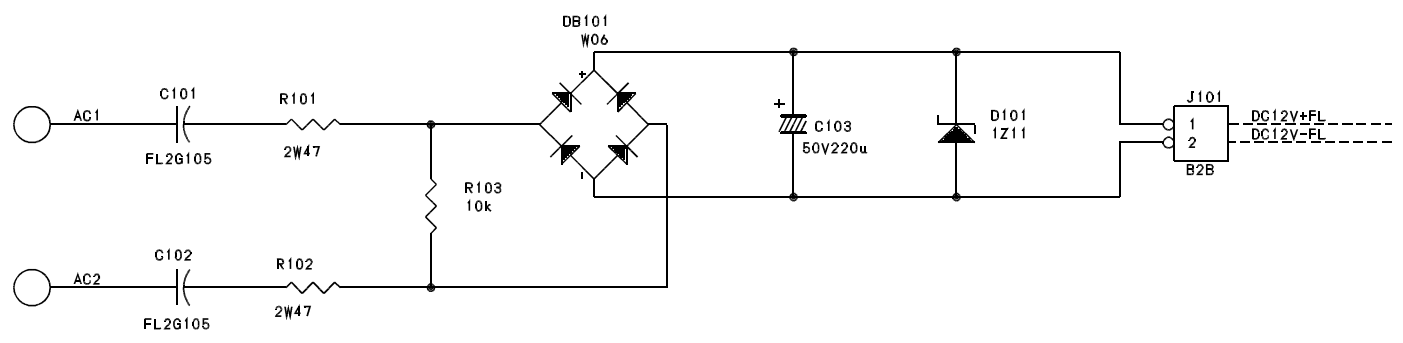
TOKYO HY-POWER LABS. (INC.)		
Title		
ANALOG INTERFACE HL-25K CONT PCB		
Size	Document Number	REV
B	HL25KCP1.SDH	
Date:	July 12, 2006	Sheet 1 of 2



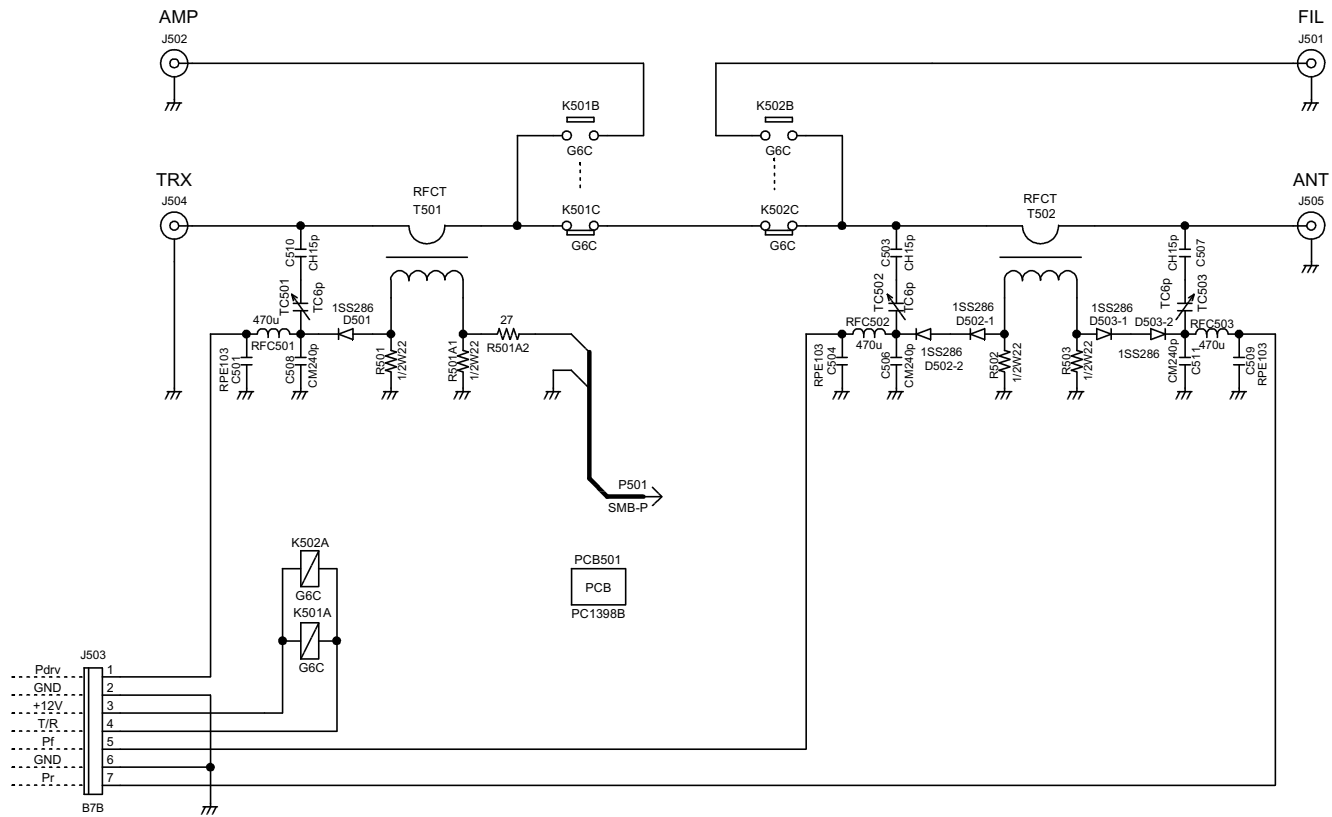
TOKYO HY-POWER LABS. INC.		
Title		
HL-2.5K CONTROL SUPPLY		
Size	Document Number	REV
B	HL25K12V.SDH	
Date:	April 27, 2007	Sheet 1 of 2



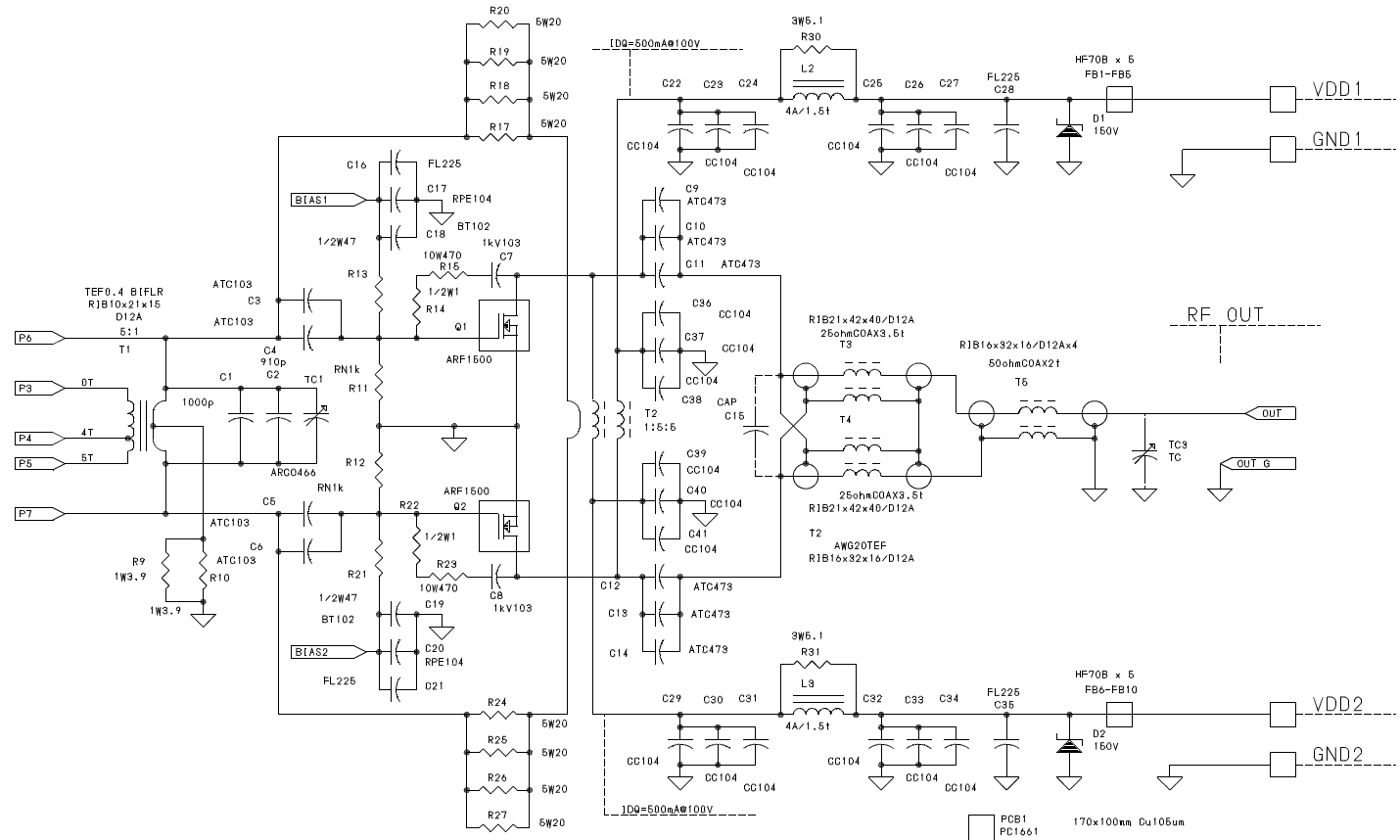
TOKYO HY-POWER LABS, INC.			
Title			
AC SW AND DELAY			
Size	Document Number	REV	
A	HL25KAC.SCH		
Date:	July 20, 2006	Sheet	of
3	2	1	



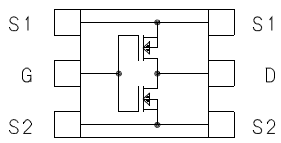
TOKYO HY-POWER LABS, INC.			
Title			
WAKE-UP DC12V			
Size	Document Number	REV	
A	HL25KSDC, SCH		
Date:	August 23, 2006	Sheet	of
3		2	1



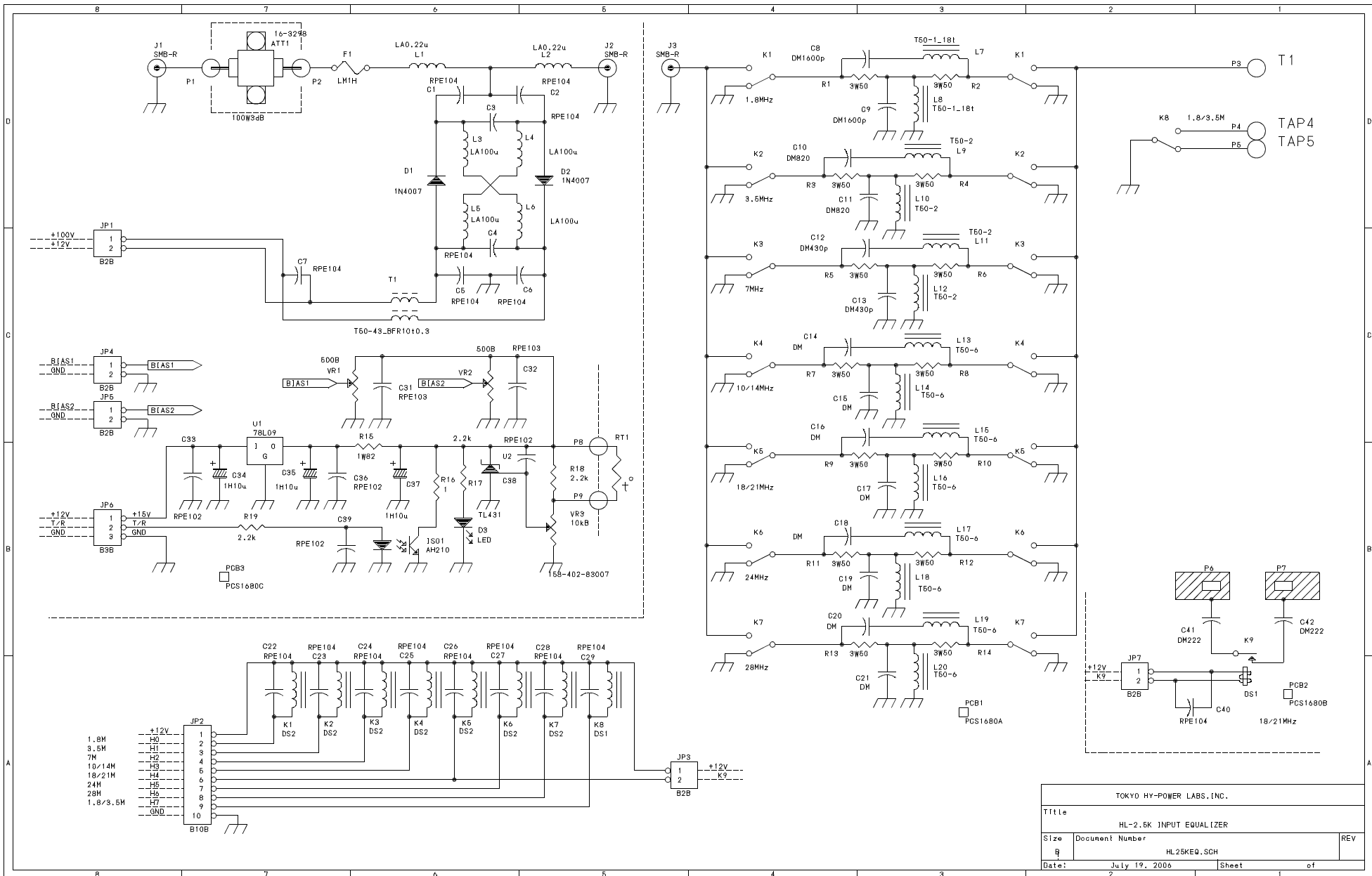
TITLE DET & T/R RELAY FOR HL-2.5K		DRAWING_No. HL25KTR.DCD	
		TOKYO HY-POWER LABS,INC.	
SHEET /	DATE 2007, Apr, 04	DESIGN T.OHSAWA	



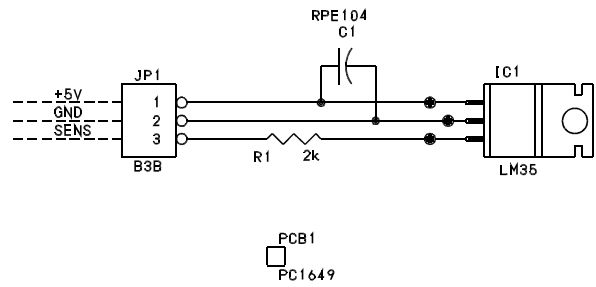
ARF1500 TOP VIEW



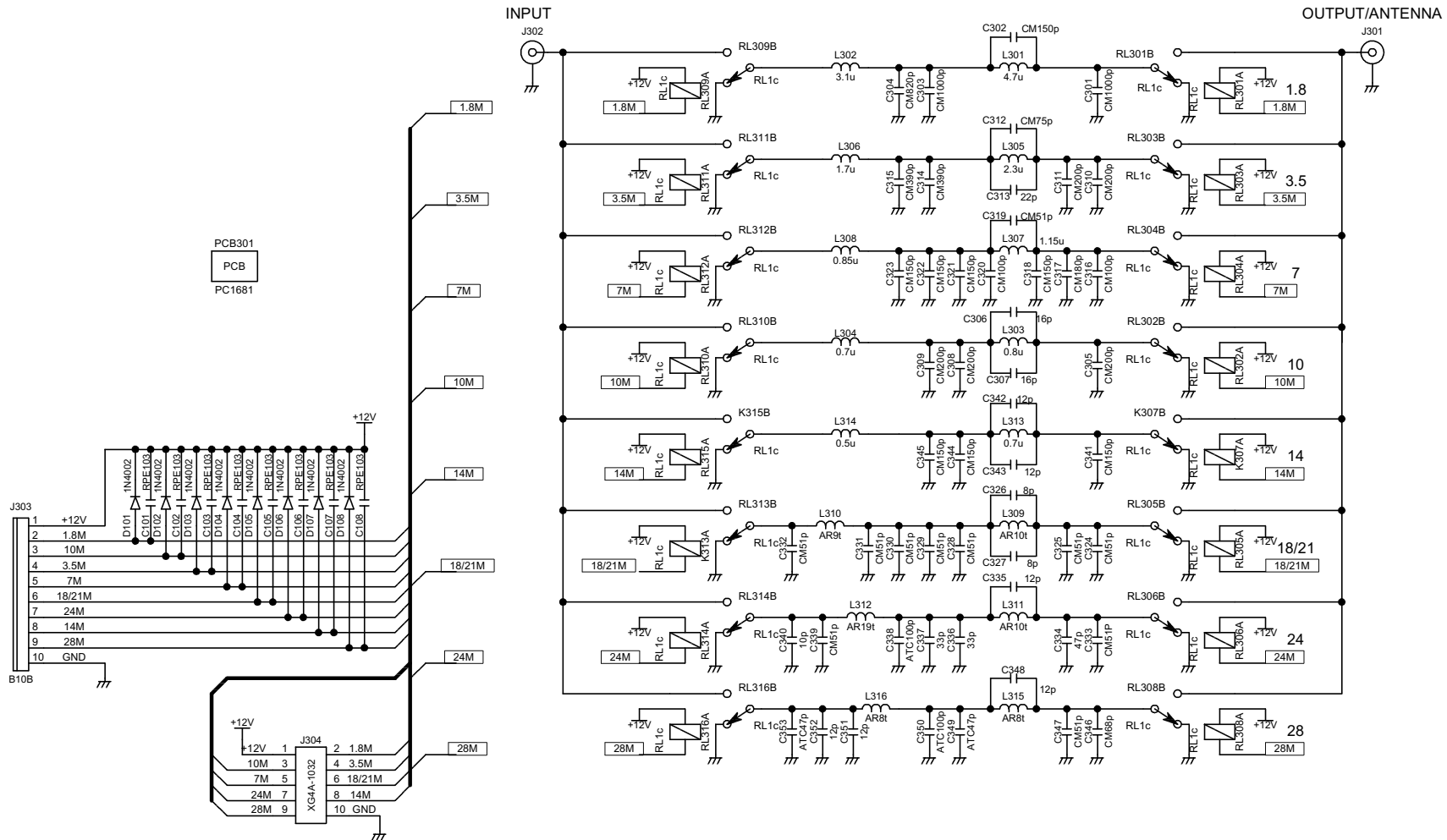
TOKYO HY-POWER LABS. (INC.)		
Title HL-2.5K POWER AMP UNIT		
Size B	Document Number HL25KPA,SGH	REV
Date: July 20, 2006	Sheet 2	of 1



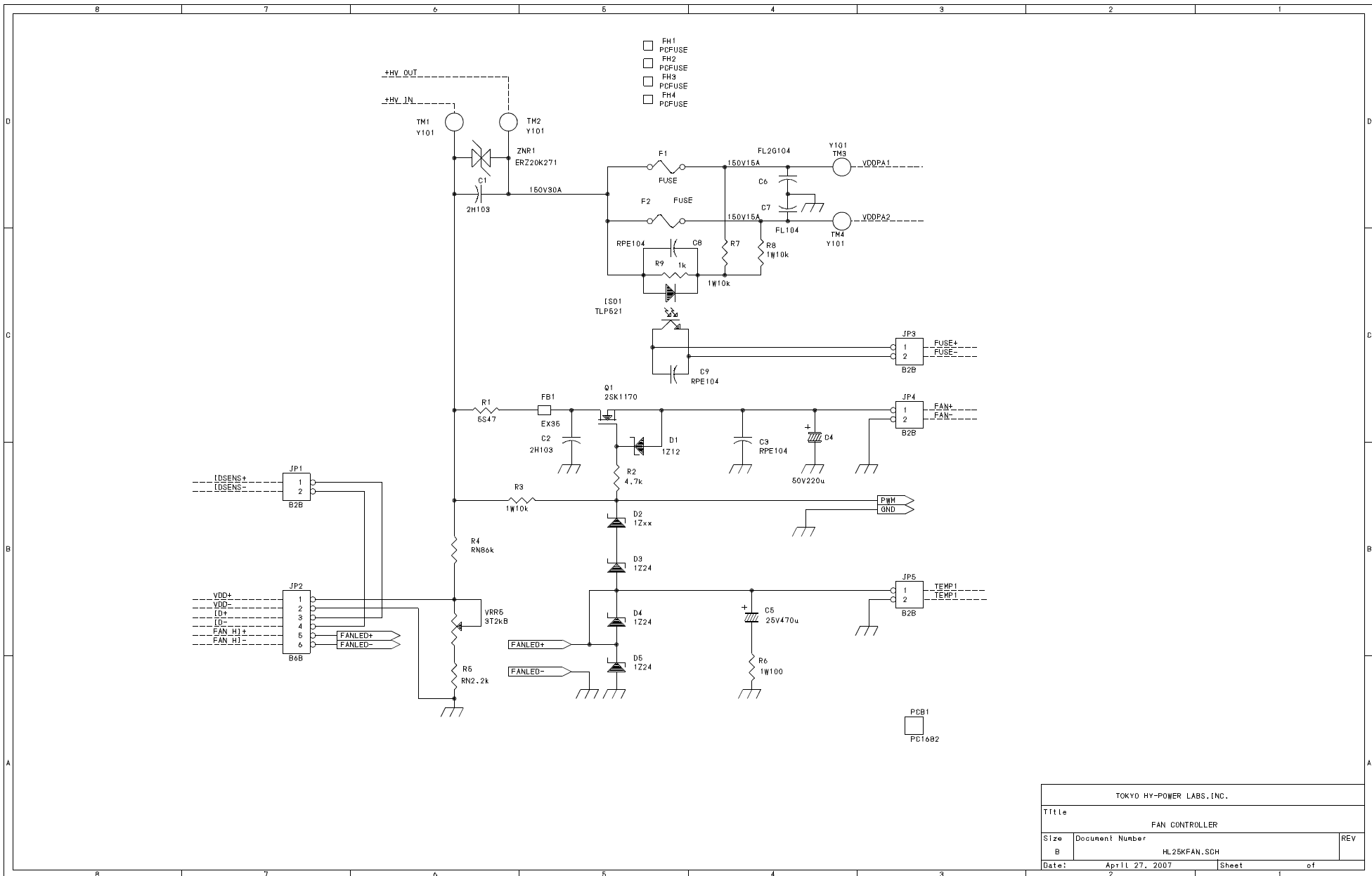
TOKYO HY-POWER LABS. (INC.)		
Title		
HL-2.5K INPUT EQUALIZER		
Size	Document Number	REV
B	HL25KEQ_SCH	
Date:	July 19, 2006	Sheet 1 of 2



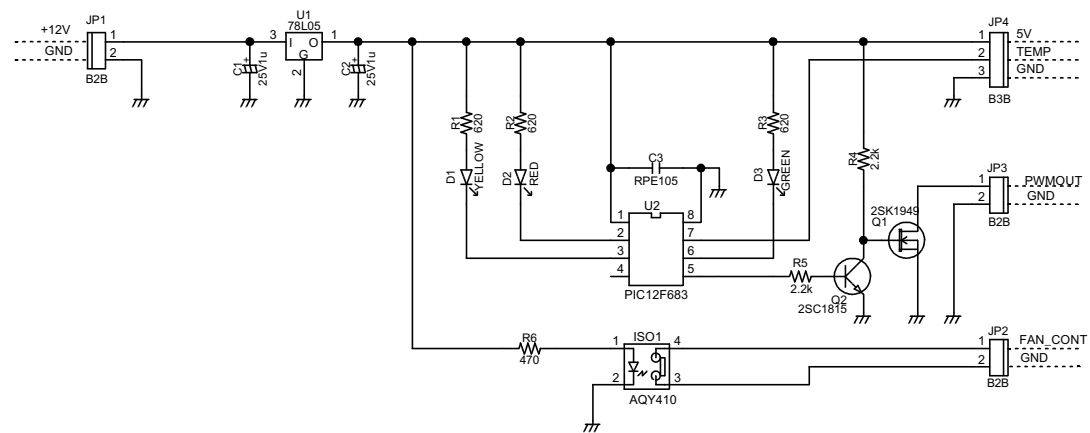
TOKYO HY-POWER LABS, INC			
Title			
TEMP SENSOR UNIT			
Size	Document Number	REV	
A	R5T0STMP.SCH		
Date:	May 26, 2005	Sheet	of
3		2	1



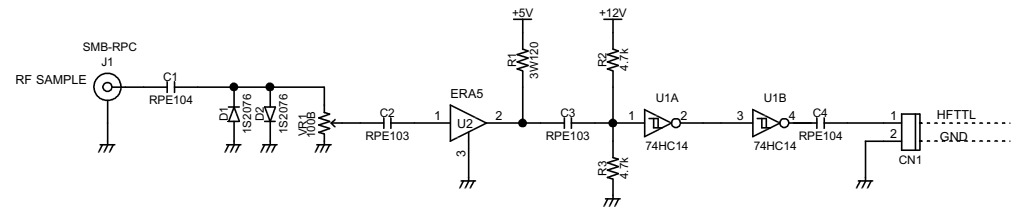
TITLE		DRAWING_No.	
FILTER UNIT FOR HL-2.5K		HL25KFIL...DCD	
TOKYO HY-POWER LIBS, INC.			
SHEET	DATE	DESIGN	
/	2007/4/5	T.OHSAWA	



TOKYO HY-POWER LABS. INC.		
Title		
FAN CONTROLLER		
Size	Document Number	REV
B	HL25KFAN.SCH	
Date:	April 27, 2007	Sheet 1 of 2



TITLE		PWM FAN-SPEED CONT		DRAWING_No.		HL25FPWM.DCD	
SHEET		DATE		DESIGN		TOKYO HY-POWER	
/		2007,4					



TITLE		FREQ SAMPLE ASSY		DRAWING_No.		HL25KFCC.DCD	
SHEET		DATE		DESIGN		TOKYO HY-POWER	
/		2007,4					